

FUTEK MODEL LSM300 (L2330)

PARALLELOGRAM LOAD CELL W/ OVERLOAD PROTECTION (OEM TYPE)

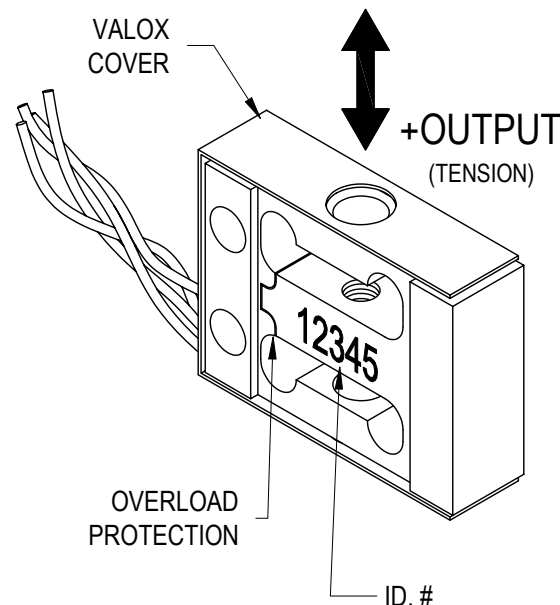
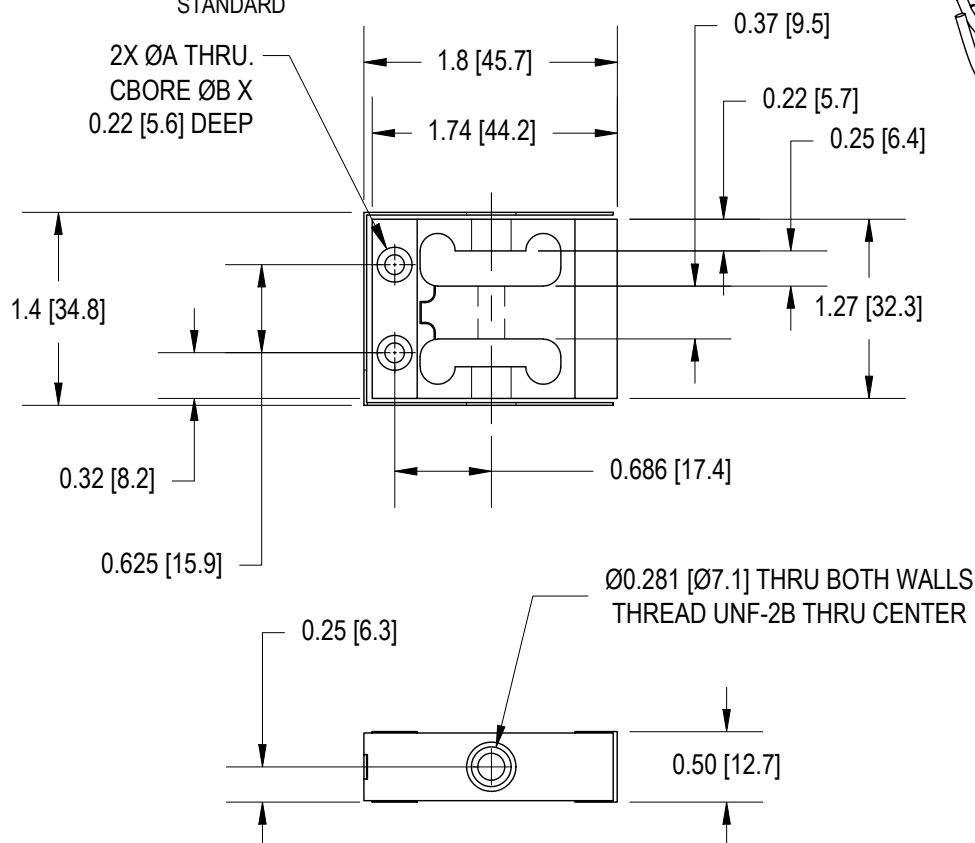
Drawing Number: FI1038-B

INCH [mm] | R.O.= Rated Output

WIRING CODE (WC2)

+Excitation	-Excitation	+Signal	-Signal
GREEN	BLACK	WHITE	RED

COLOR CODE FOR THIS SENSOR IS NOT FUTEK STANDARD



FOR LOWER CAPACITIES REFER TO MODEL LSM250 (L2331)

SPECIFICATIONS:

RATED OUTPUT	2 mV/V nom.
SAFE OVERLOAD (2.2 - 100 lb)	250 lb
SAFE OVERLOAD (200 - 500 lb)	200% of R.O.
ZERO BALANCE	±3% of R.O.
EXCITATION (VDC OR VAC)	18 MAX
BRIDGE RESISTANCE	1000 Ω nom.
NONLINEARITY (2.2 - 100 lb)	±0.02% of R.O.
HYSTERESIS (2.2 - 100 lb)	±0.02% of R.O.
NONLINEARITY (200 - 500 lb)	±0.06% of R.O.
HYSTERESIS (200 - 500 lb)	±0.06% of R.O.
NONREPEATABILITY	±0.02% of R.O.
CREEP	±0.025% of LOAD.
TEMP. SHIFT ZERO	±0.005% of R.O./°F [0.01% of R.O./°C]
TEMP. SHIFT SPAN	±0.005% of LOAD/°F [0.01% of LOAD/°C]
COMPENSATED TEMP.	60 to 160°F [15 to 72°C]
OPERATING TEMP.	-60 to 200°F [-50 to 93°C]
WEIGHT	1 to 3 oz [28 to 85 g]
MATERIAL	ALUMINUM (2.2 to 100 lb) 17-4PH S.S. (200-500 lb)
CABLE: #29 AWG, 4 Conductor, Spiral Teflon Cable 6 in. [152.4 mm] Long	
ACCESSORIES AND RELATED INSTRUMENTS AVAILABLE	
CALIBRATION (STD)	2 pt. TENSION; 150KΩ SHUNT CAL. VALUE
CALIBRATION (AVAILABLE)	2 pt. COMPRESSION
CALIBRATION TEST EXCITATION	10 VDC

Stock #	CAPACITY lb	N	THREAD	A	B	NOM. DEFLECTION	SAFE OVERLOAD (lb)
FSH00001	2.2	9.8				-	250
FSH00002	5	22.2					250
FSH00004	10	44.5					250
FSH00005	25	111	#10-32	0.14 [3.6]	0.25 [6.4]	-	250
FSH00006	50	222					250
FSH00007	100	445					250
FSH00008	200	890					400*
FSH00009	500	2224	1/4-28	0.21 [5.3]	0.34 [5.6]	-	1000*

* IF ADDITIONAL PINS ARE USED

ADDITIONAL HOLE LOCATIONS 200-500 lb ONLY

