

FUTEK MODEL LSM200
ITEM# FSH00064

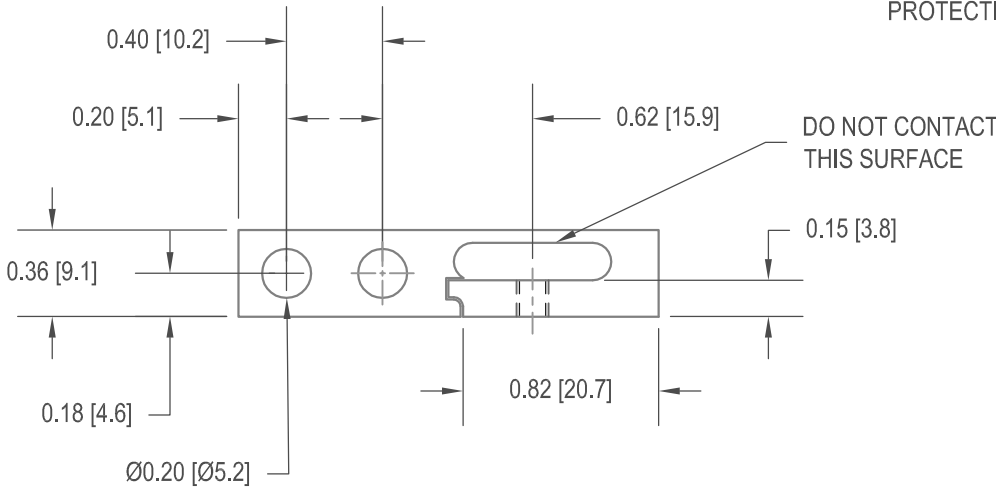
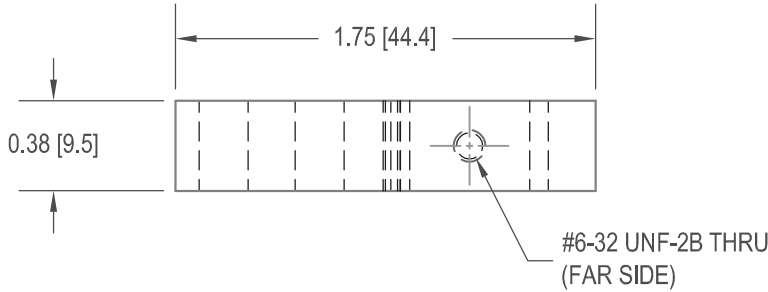
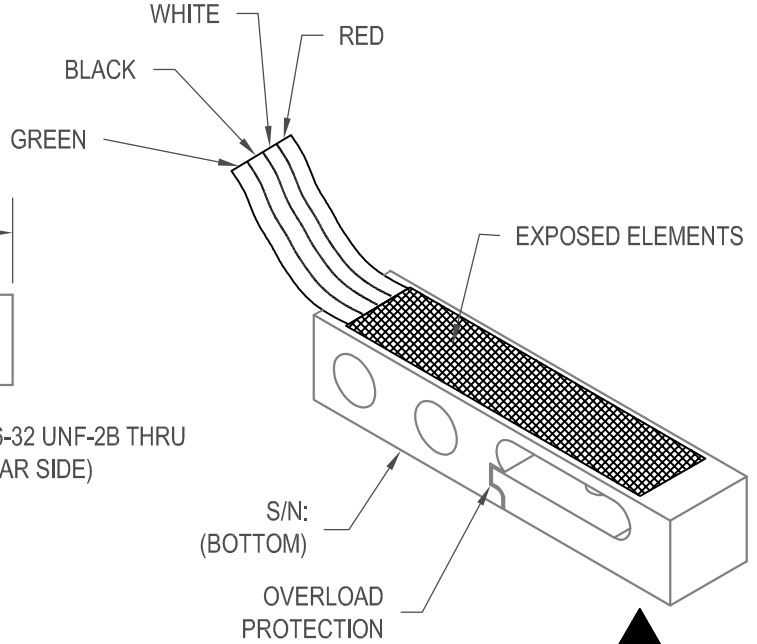
FOLD BACK BENDING BEAM W/ OVERLOAD PROTECTION IN BOTH DIRECTIONS
(OEM TYPE)

Drawing Number: FI1071-A

INCH [mm] | R.O.= Rated Output

WIRING CODE (WC1)

+Excitation	-Excitation	+Signal	-Signal
RED	BLACK	GREEN	WHITE



SPECIFICATIONS:

RATED OUTPUT	2.3 mV/V nom.
CAPACITY $\frac{lb}{N}$	$\frac{10}{44.5}$
SAFE OVERLOAD	1000% of R.O.
ZERO BALANCE	±5% of R.O.
EXCITATION (VDC OR VAC)	18 MAX
BRIDGE RESISTANCE	1000 Ω nom.
NONLINEARITY	±0.2% of R.O.
HYSTERESIS	±0.2% of R.O.
NONREPEATABILITY	±0.1% of R.O.
TEMP. SHIFT ZERO	±0.03% of R.O./°F [0.05% of R.O./°C]
TEMP. SHIFT SPAN	±0.03% of LOAD/°F [0.05% of LOAD/°C]
COMPENSATED TEMP.	60 to 160°F [15 to 72°C]
OPERATING TEMP.	-60 to 200 °F [-50 to 93 °C]
WEIGHT	3 oz [85 g]
MATERIAL	ALUMINUM
DEFLECTION	0.01 [0.25] nom.
CABLE:	Molex Flex Cable Type A, 1 mm Pitch, 4 Conductor, 2 [50.8] Long
ACCESSORIES AND RELATED INSTRUMENTS AVAILABLE	
CALIBRATION (AVAILABLE)	5 pt TENSION; 150K Ω SHUNT CAL. VALUE
CALIBRATION TEST EXCITATION	10 VDC