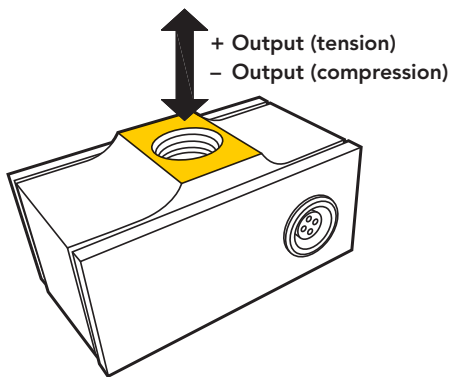




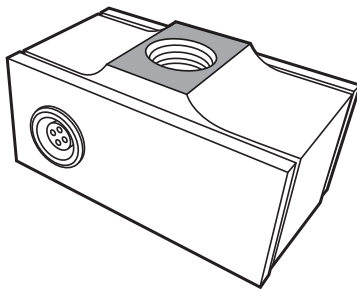
FEATURES

- Light weight
- For use in both tension and compression
- Low profile
- Easy to integrate on flat loading surfaces
- High accuracy

Active end



Fixed end



SPECIFICATIONS

PERFORMANCE

Nonlinearity	±0.1% of RO
Hysteresis	±0.1% of RO
Nonrepeatability	±0.05% of RO
Creep	±0.05% of RO

ELECTRICAL

Rated Output (RO)	2 mV/V nom
Excitation (VDC or VAC)	18 max
Bridge Resistance	350 Ohm nom
Insulation Resistance	≥500 Mohm @ 50 VDC
Connection	4 Pin LEMO Receptacle
Connector Code	CC4

MECHANICAL

Weight (approximate)	2 oz (200-300 lb) [56.7g] 5 oz (500-1000 lb) [141g]
Safe Overload	150% of RO
Material	Aluminum, Red Anodized
IP Rating	IP40

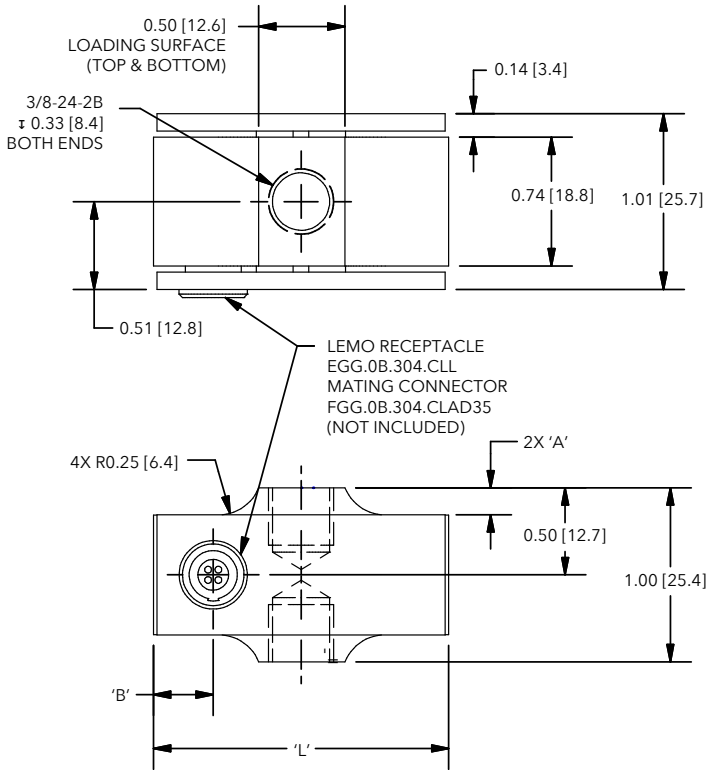
TEMPERATURE

Operating Temperature	-60 to 200°F [-51 to 93°C]
Compensated Temperature	60 to 160°F [16 to 71°C]
Temperature Shift Zero	±0.005% of RO/°F [0.01% of RO/°C]
Temperature Shift Span	±0.005% of Load/°F [0.01% of Load/°C]

CALIBRATION

Calibration Test Excitation	10 VDC
Calibration (standard)	5-pt tension
Calibration (available)	Tension and Compression
Shunt Calibration Value	60.4 kOhm

DIMENSIONS inches [mm]

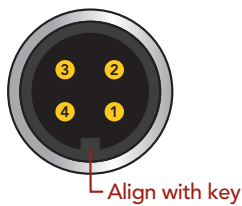


CAPACITIES

ITEM #	lb	N	A	B	L	Deflection (in)	Natural Frequency (Hz)
FSH00084	200	890	0.14 [3.6]	0.36 [9.1]	1.74 [44.2]	0.002	4600
FSH00085	300	1334	0.12 [3.0]	0.39 [9.9]		0.002	5300
FSH00086	500	2224	0.16 [4.1]	0.34 [8.6]	1.70 [43.2]	0.002	4300
FSH00088	1000	4450	0.11 [2.8]	0.39 [9.9]	1.74 [44.2]	0.006	3200

LEMO 4-PIN (CC4)

PIN	COLOR	DESCRIPTION
1	Red	+ Excitation
2	Green	+ Signal
3	White	- Signal
4	Black	- Excitation



Drawing Number: FI1070-E

FUTEK reserves the right to modify its design and specifications without notice. Please visit www.futek.com/salesterms for complete terms and conditions.

10 Thomas, Irvine, CA 92618 USA

Tel: (949) 465-0900

Fax: (949) 465-0905

www.futek.com



U.S. Manufacturer