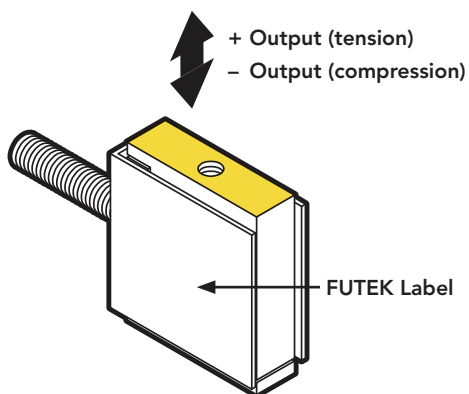




## FEATURES

- Up to 10 times the overload protection
- Overload is available in Tension and Compression
- Light weight
- Notable nonlinearity
- Loads up to 100 lb (445 N)
- Miniature size

Active end



## SPECIFICATIONS

### PERFORMANCE

Nonlinearity	±0.1% of RO
Hysteresis	±0.1% of RO
Nonrepeatability	±0.05% of RO

### ELECTRICAL

Rated Output (RO)	See chart on third page
Excitation (VDC or VAC)	10 max
Bridge Resistance	See chart on third page
Insulation Resistance	≥500 MOhm @ 50 VDC
Connection	#29 AWG, 4 conductor, spiral shielded silicone cable, 5 ft [1.5 m] long
Wiring/Connector Code	WC1

### MECHANICAL

Weight (approximate)	0.3 oz [9 g]
Safe Overload	1000% of RO 200% tension only (50–100 lb)
Material	Aluminum (10 g–10 lb), stainless-steel (25–100 lb)
IP Rating	IP40

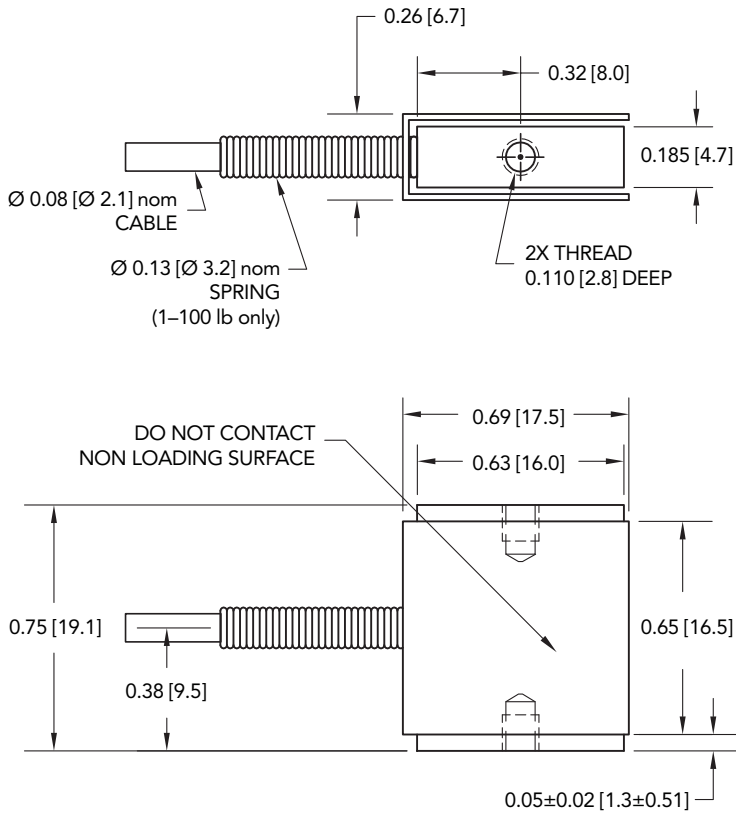
### TEMPERATURE

Operating Temperature	-60 to 200°F [-50 to 93°C]
Compensated Temperature	60 to 160°F [15 to 72°C]
Temperature Shift Zero	±0.01% of RO/°F [0.018% of RO/°C]
Temperature Shift Span	±0.02% of Load/°F [0.036% of Load/°C]

### CALIBRATION

Calibration Test Excitation	5 VDC
Calibration (standard)	5-pt Tension
Calibration (available)	Compression

**DIMENSIONS** inches [mm]



**WIRING CODE (WC1)**

RED	+ EXCITATION
BLACK	- EXCITATION
GREEN	+ SIGNAL
WHITE	- SIGNAL
SHIELD	FLOATING

CAPACITIES								
ITEM #	lb	N	Thread	RO (nom)	Bridge Resistance	Shunt Calibration Value	Deflection (in.)	Natural Frequency (Hz)
FSH02319	10g	0.1	M3 x 0.5	0.5 mV/V	1000 Ohm nom	301 kOhm	0.004	140
FSH02667	20g	0.2	M3 x 0.5	1 mV/V			0.008	140
FSH02663	50g	0.5	M3 x 0.5	2 mV/V	1000 Ohm nom	150 kOhm	0.010	200
FSH02664	100g	1.0	M3 x 0.5				0.008	300
FSH02665	250g	2.5	M3 x 0.5				0.007	530
FSH00101	1	4.5	M3 x 0.5				0.004	930
FSH00102	2	8.9	M3 x 0.5				0.004	1340
FSH00103	5	22.2	M3 x 0.5		0.005	1900		
FSH00104	10	44.5	M3 x 0.5		350 Ohm nom	60.4 kOhm	0.004	3000
FSH00105	25	111	M3 x 0.5				0.004	2770
FSH00106	50	222	M3 x 0.5				0.004	3600
FSH00107	100	445	M3 x 0.5				0.005	4600

Drawing Number: FI1041-G

FUTEK reserves the right to modify its design and specifications without notice.  
 Please visit [www.futek.com/salesterms](http://www.futek.com/salesterms) for complete terms and conditions.

10 Thomas, Irvine, CA 92618 USA

Tel: (949) 465-0900

Fax: (949) 465-0905

[www.futek.com](http://www.futek.com)



U.S. Manufacturer