

FUTEK MODEL LCF400 (L2920)

TENSION AND COMPRESSION LOAD CELL

Drawing Number: FI1043-A

REPLACEMENT FOR LEBOW MODEL 3132

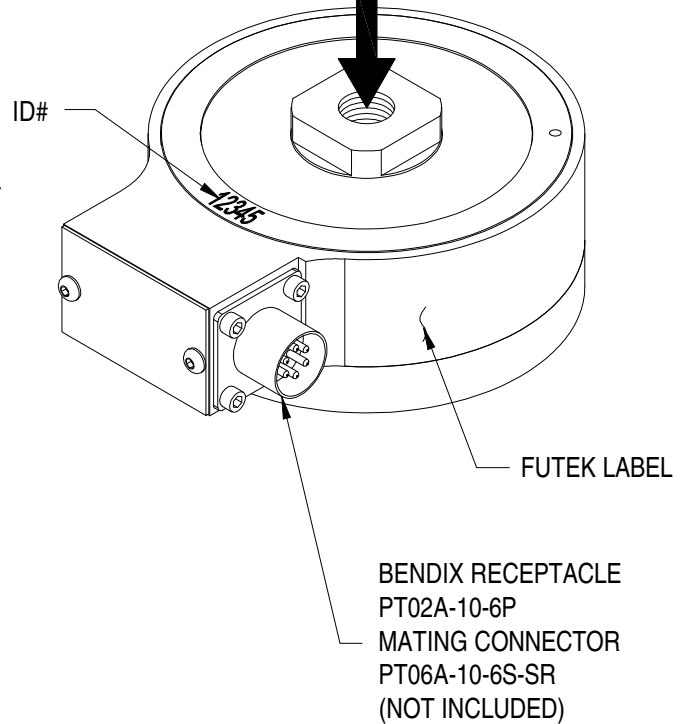
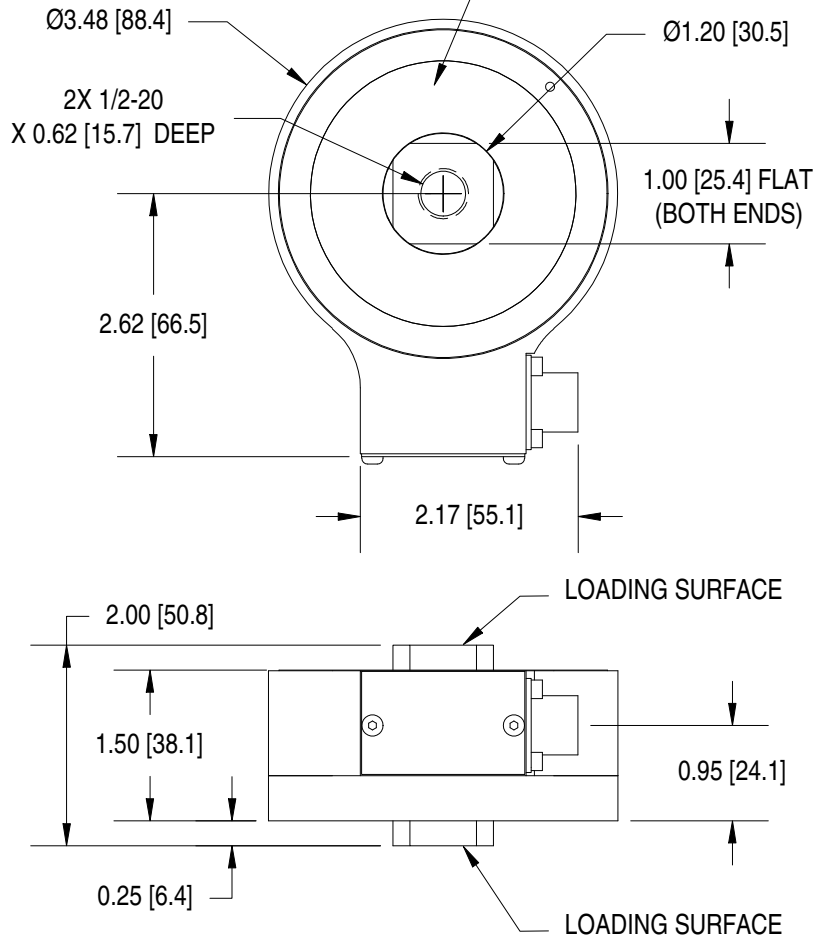
INCH [mm] | R.O.= Rated Output

WIRING CODE (CC2)

+Excitation	-Excitation	+Signal	-Signal
RED PIN 'A'	BLACK PIN 'D'	GREEN PIN 'B'	WHITE PIN 'C'

NON LOADING SURFACES
DO NOT CONTACT

+OUTPUT
(TENSION)



SPECIFICATIONS:

RATED OUTPUT	3 mV/V nom.
SAFE OVERLOAD	150% of R.O.
ZERO BALANCE	±1% of R.O.
EXCITATION (VDC OR VAC)	18 MAX
BRIDGE RESISTANCE	700Ω nom.
NONLINEARITY	±0.1% of R.O.
HYSTERESIS	±0.1% of R.O.
NONREPEATABILITY	±0.05% of R.O.
TEMP. SHIFT ZERO	±0.002% of R.O./°F [0.0036% of R.O./°C]
TEMP. SHIFT SPAN	±0.002% of LOAD/°F [0.0036% of LOAD/°C]
COMPENSATED TEMP.	60 to 160°F [15 to 71°C]
OPERATING TEMP.	-65 to 200°F [-54 to 93°C]
WEIGHT	approx. 3 lb [1.4 Kg]
MATERIAL	Stainless Steel
DEFLECTION	0.002 to 0.005 [0.05 to 0.13] nom.
CONNECTOR: 6 Pin BENDIX Receptacle (PT02A-10-6P)	
ACCESSORIES AND RELATED INSTRUMENTS AVAILABLE	
CALIBRATION (STD)	5pt. TENSION; 87.325KΩ SHUNT CAL. VALUE
CALIBRATION (AVAILABLE)	COMPRESSION
CALIBRATION TEST EXCITATION	10 VDC

Stock #	Capacity (lb)	Capacity (N)
FSH00119	250	1112
FSH00120	500	2224
FSH00121	1000	4448
FSH00122	2000	8896
FSH00123	3000	13340
FSH00124	5000	22240