

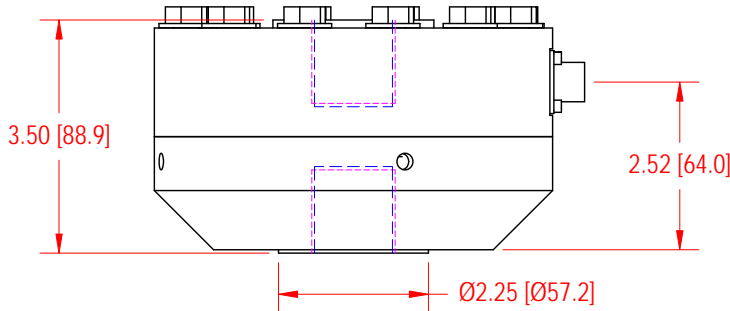
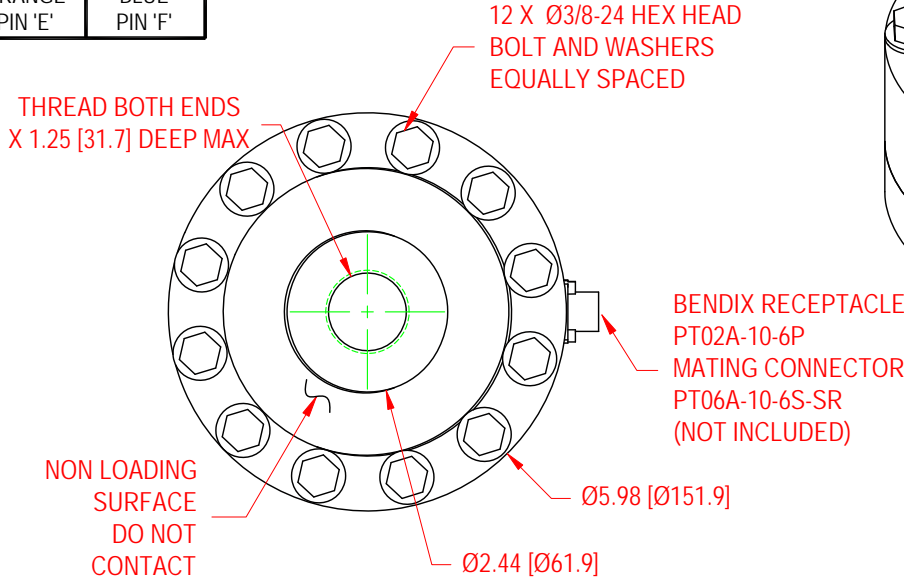
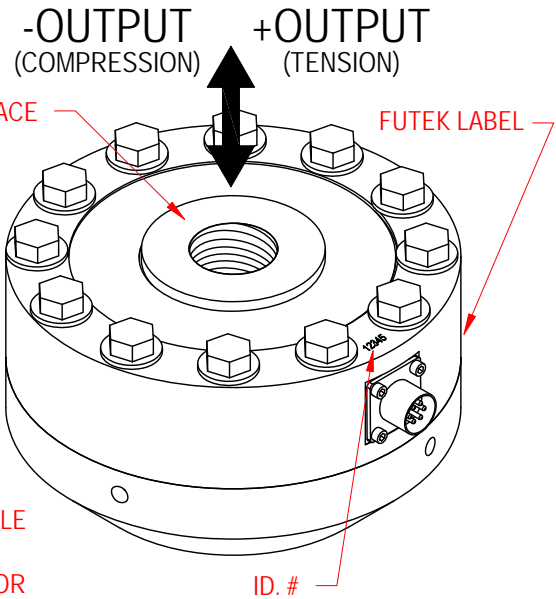
FUTEK MODEL LCF505

Drawing Number: FI1098-A

INCH [mm] | R.O.= Rated Output

WIRING CODE (CC1)			
+Excitation	-Excitation	+Signal	-Signal
RED PIN 'A'	BLACK PIN 'B'	GREEN PIN 'C'	WHITE PIN 'D'
+Sense	-Sense		
ORANGE PIN 'E'	BLUE PIN 'F'		

LOW PROFILE UNIVERSAL PANCAKE LOAD CELL (Previously L2901)



REFER TO LCF450 FOR VERSION WITHOUT BASE PLATE

Stock #	CAPACITY		THREAD
	lb	N	
FSH00196	20k	89k	1 1/4-12
FSH02112			M33 X 2
FSH00206	30k	133k	1 1/4-12
FSH02113			M33 X 2
FSH00197	50k	222k	1 1/4-12
FSH01882			M33 X 2

SPECIFICATIONS:

RATED OUTPUT	2 mV/V nom.
SAFE OVERLOAD	150% of R.O.
ZERO BALANCE	±1% of R.O.
EXCITATION (VDC OR VAC)	20 MAX
BRIDGE RESISTANCE	350 Ω nom.
NONLINEARITY	±0.1% of R.O. } HIGHER SPECIFICATIONS OF 0.05% AVAILABLE
HYSTERESIS	±0.2% of R.O. } CONTACT FACTORY
NONREPEATABILITY	±0.02% of R.O.
CREEP	±0.02% of LOAD
TEMP. SHIFT ZERO	±0.001% of R.O./°F [0.0018% of R.O./°C]
TEMP. SHIFT SPAN	±0.002% of LOAD/°F [0.0036% of LOAD/°C]
COMPENSATED TEMP.	60 to 160°F [15 to 72°C]
OPERATING TEMP.	-60 to 200°F [-50 to 93°C]
DEFLECTION	0.002 to 0.005 [0.05 to 0.13] nom.
MATERIAL	17-4PH S.S.
WEIGHT	20 lb [9.1 kg]
CONNECTOR:	6 Pin BENDIX Receptacle (PT02A-10-6P)
ACCESSORIES AND RELATED INSTRUMENTS AVAILABLE	
CALIBRATION (STD)	5 pt. COMPRESSION; 60.4 KΩ SHUNT CAL. VALUE
CALIBRATION (AVAILABLE)	5pt TENSION
CALIBRATION TEST EXCITATION	10 VDC

OTHER AVAILABLE RECEPTACLES & MATING CONNECTORS

BENDIX RECEPTACLE (PC04E-10-6P)
BENDIX MATING CONNECTOR (PC06E-10-6S-SR)

FUTEK
ADVANCED SENSOR TECHNOLOGY, INC.

This drawing is submitted solely for the information and exclusive use of the original addressee. It is not to be divulged in whole or in part, by any firm or individual without written permission from FUTEK

10 THOMAS
IRVINE, CA 92618 USA
1-800-23-FUTEK (38835)

INTERNET:
<http://www.futek.com>