

FUTEK MODEL TDF400

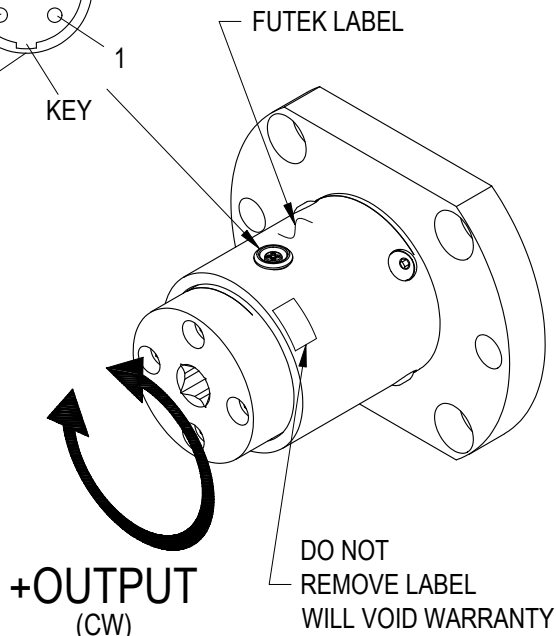
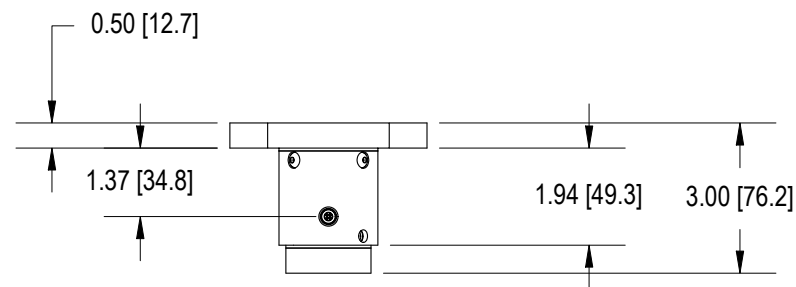
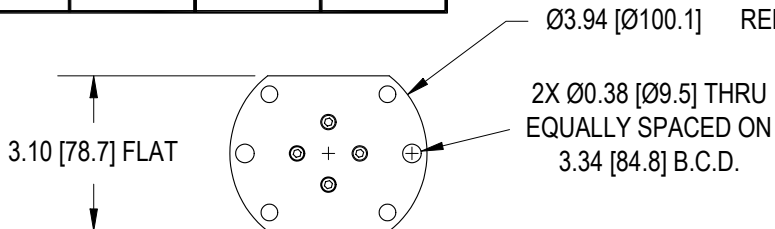
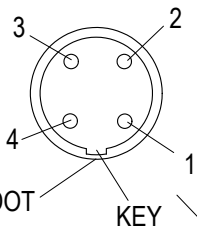
FLANGE TO SQUARE DRIVE REACTION TORQUE SENSOR (Previously T5104)

Drawing Number: F11136

INCH [mm] | R.O.= Rated Output

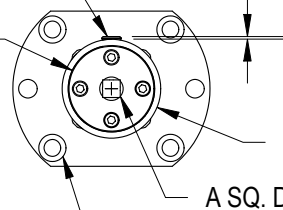
WIRING CODE (CC4)

+Excitation	-Excitation	+Signal	-Signal
Red	4 Black	2 Green	3 White



LEMO RECEPTACLE
EGG.OB.304.CLL
MATING CONNECTOR
FGG.OB.304.CLAD35
(NOT INCLUDED)

Ø1.73 [Ø43.8]



0.17 [4.3] (5-1000 in-oz)
0.45 [11.4] (100 to 500 in-lb)

Ø1.98 [Ø50.2]

A SQ. DRIVE

4 X Ø0.339 [Ø8.6] THRU
Ø0.55 [Ø14] X 0.35 [8.9]
DEEP C'BORE EQUALLY
SPACED ON 3.34 [84.8] B.C.D.

SPECIFICATIONS:

RATED OUTPUT
SAFE OVERLOAD
ZERO BALANCE
EXCITATION (VDC OR VAC)
BRIDGE RESISTANCE
NONLINEARITY
HYSTERESIS
NONREPEATABILITY
TEMP. SHIFT ZERO
TEMP. SHIFT SPAN
COMPENSATED TEMP.
OPERATING TEMP.
WEIGHT
MATERIAL
CONNECTOR: 4 Pin Lemo Receptacle EGG.OB.304.CLL
ACCESSORIES AND RELATED INSTRUMENTS AVAILABLE
CALIBRATION (STD)
CALIBRATION (OPT)
CALIBRATION TEST EXCITATION

1.5 mV/V nom. (5 in-oz) 2 mV/V nom. (10 in-oz to 500 in-lb)
150% of R.O.
±1% of R.O.
18 MAX
350 Ω nom. (5 to 1000 in-oz) 700 Ω nom. (100 to 500 in-lb)
±0.2% of R.O.
±0.2% of R.O.
±0.05% of R.O.
±0.002% of R.O./°F [0.0036% of R.O./°C]
±0.002% of LOAD/°F [0.0036% of LOAD/°C]
60 to 160°F [15 to 72°C]
-60 to 200°F [-50 to 93°C]
14 oz [397 g]
Aluminum
5 pt. CW; 60.4KΩ. (5 to 1000 in-oz) 100KΩ. (100 to 500 in-lb) SHUNT CAL. VALUE
5pt. CCW
10 VDC

STK#	CAPACITY		A	TORSIONAL STIFFNESS
	in-oz	Nm		in-oz/rad
FSH00466	5*	0.04	1/4"	325
FSH00467	10*	0.08		700
FSH00468	20*	0.15		1600
FSH00469	50*	0.37		3500
FSH00470	100*	0.75		7300
FSH00471	160*	1.2		11000
FSH00472	400*	3.0	3/8"	30000
FSH00473	1000	7.5		71000
FSH00474	100 in-lb	12		77000 in-lb/rad
FSH00475	200 in-lb	24		95000 in-lb/rad
FSH00476	500 in-lb	60		199000 in-lb/rad

* WITH OVERLOAD PROTECTION
FOR HIGHER CAPACITIES REFER TO MODELS TFF600-750
AND TDF600-675