

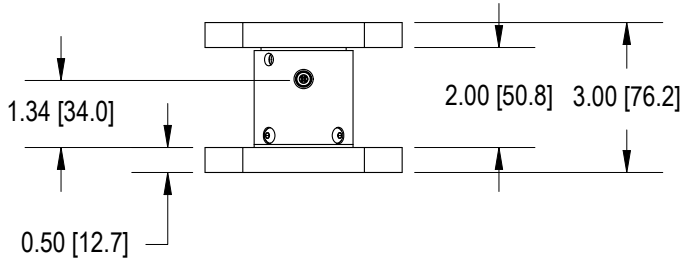
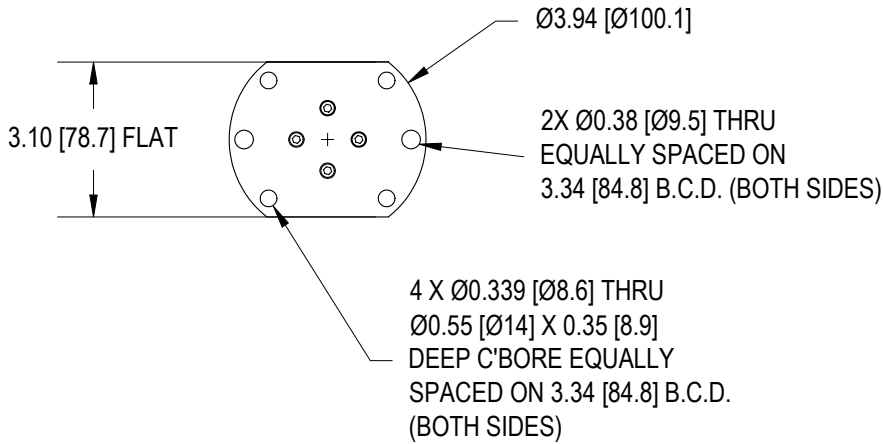
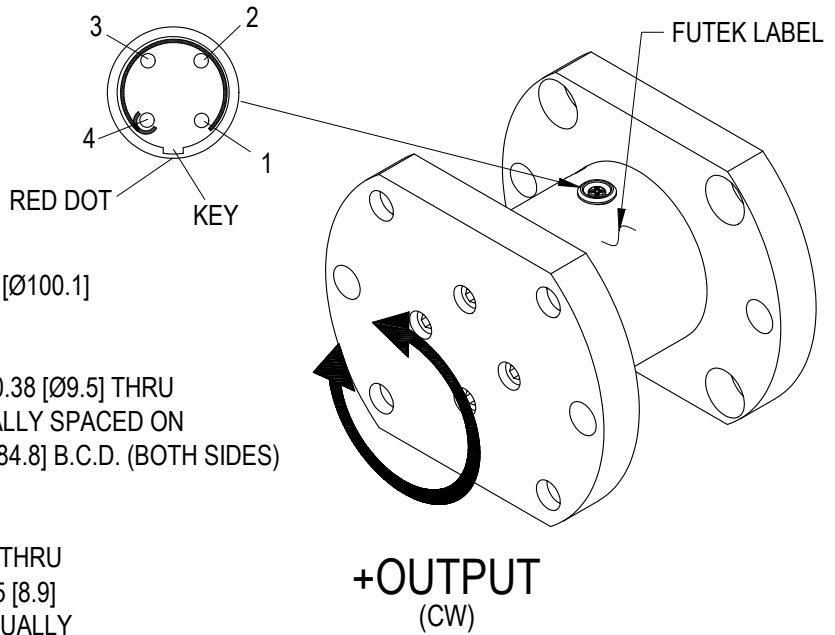
FUTEK MODEL TFF425

FLANGE TO FLANGE REACTION TORQUE SENSOR (Previously T5106)

Drawing Number: FI1137-A

INCH [mm] | R.O.= Rated Output

WIRING CODE (CC4)			
+Excitation	-Excitation	+Signal	-Signal
1	4	2	3



STK#	CAPACITY		TORSIONAL STIFFNESS
	in-oz	Nm	in-oz/rad
FSH00477	5*	0.04	325
FSH00478	10*	0.08	700
FSH00479	20*	0.15	1600
FSH00480	50*	0.37	3500
FSH00481	100*	0.75	7300
FSH00482	160*	1.2	11000
FSH00483	400*	3.0	30000
FSH00484	1000	7.5	71000
FSH00485	100 in-lb	12	77000 in-lb/rad
FSH00486	200 in-lb	24	95000 in-lb/rad
FSH00487	500 in-lb	60	199000 in-lb/rad

* WITH OVERLOAD PROTECTION
FOR HIGHER CAPACITIES REFER TO MODELS TFF600-750
AND TDF600-675

SPECIFICATIONS:

RATED OUTPUT	1.5 mV/V nom. (5 in-oz) 2 mV/V nom. (10 in-oz to 500 in-lb)
SAFE OVERLOAD	150% of R.O.
ZERO BALANCE	±1% of R.O.
EXCITATION (VDC OR VAC)	18 VDC MAX
BRIDGE RESISTANCE	350 Ω nom. (5 to 1000 in-oz) 700 Ω nom. (100 to 500 in-lb)
NONLINEARITY	±0.2% of R.O.
HYSTERESIS	±0.2% of R.O.
NONREPEATABILITY	±0.05% of R.O.
TEMP. SHIFT ZERO	±0.002% of R.O./°F [0.0036% of R.O./°C]
TEMP. SHIFT SPAN	±0.002% of LOAD/°F [0.0036% of LOAD/°C]
COMPENSATED TEMP.	60 to 160°F [15 to 72°C]
OPERATING TEMP.	-60 to 200°F [-50 to 93°C]
WEIGHT	14 oz [397 g]
MATERIAL	Aluminum
CONNECTOR: 4 Pin Lemo Receptacle EGG.OB.304.CLL	
ACCESSORIES AND RELATED INSTRUMENTS AVAILABLE	
CALIBRATION (STD)	5 pt. CW; 60.4KΩ (5 to 1000 in-oz) 100KΩ (100 to 500 in-lb) SHUNT CAL. VALUE
CALIBRATION TEST EXCITATION	10 VDC