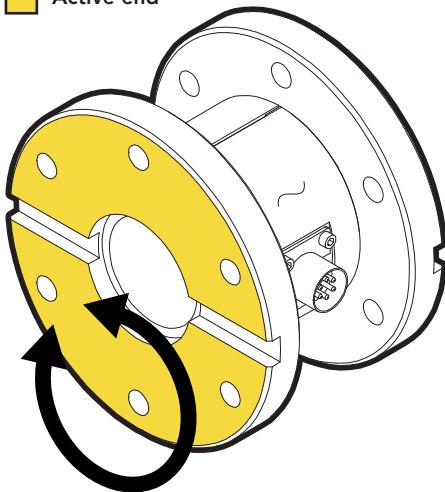




FEATURES

- Easily integrates into OEM applications
- Designed for Torque auditing
- Aluminum & stainless-steel construction
- Strain gauge based

 Active end



- Output (CCW)
+ Output (CW)

SPECIFICATIONS

PERFORMANCE

Nonlinearity	±0.2% of RO
Hysteresis	±0.2% of RO
Nonrepeatability	±0.2% of RO

ELECTRICAL

Rated Output (RO)	2 mV/V nom
Excitation (VDC or VAC)	18 max
Bridge Resistance	350 Ohm nom
Connection	6 Pin BENDIX Receptacle (PT02E-10-6P)
Connector Code	CC1

MECHANICAL

Weight (approximate)	See chart on next page
Safe Overload	150% of RO
Material	Aluminum (Cover) Aluminum (Flexure 2000 in-lb) 17-4 PH stainless steel (Flexure 10000 in-lb)
IP Rating	IP40

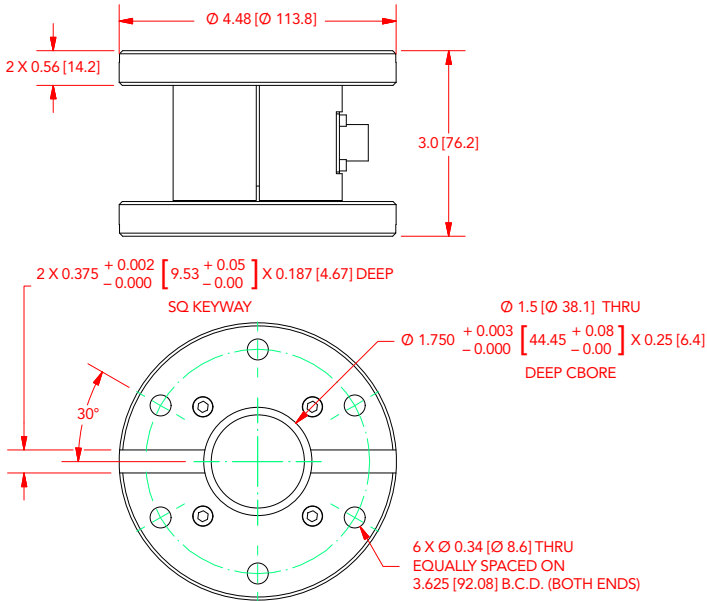
TEMPERATURE

Operating Temperature	-60 to 200°F (-50 to 93°C)
Compensated Temperature	60 to 160°F (15 to 72°C)
Temperature Shift Zero	±0.002% of RO/°F (0.0036% of RO/°C)
Temperature Shift Span	±0.002% of Load/°F (0.0036% of Load/°C)

CALIBRATION

Calibration Test Excitation	10 VDC
Calibration (standard)	5-pt CW
Calibration (available)	5-pt CW & CCW
Shunt Calibration Value	60.4 kOhm

DIMENSIONS inches [mm]



CAPACITIES

ITEM #	in-lb	Nm	Natural Frequency (Hz)	Torsional Stiffness ft-lb/rad	Weight
FSH00681	2000	225	1600	45300	2 lb [0.9 kg]
FSH00683	10000	1130	2200	215000	5 lb [2.3 kg]

* FOR LOWER CAPACITIES REFER TO TFF400, TSS400, TDD400, TDF400

CONNECTOR CODE (CC1)

PIN A	+ EXCITATION/RED
PIN B	- EXCITATION/BLACK
PIN C	+ SIGNAL/GREEN
PIN D	- SIGNAL/WHITE
PIN E	+ SENSE/ORANGE
PIN F	- SENSE/BLUE

Drawing Number: FI1143-C

FUTEK reserves the right to modify its design and specifications without notice. Please visit <http://www.futek.com/salesterms> for complete terms and conditions.

10 Thomas, Irvine, CA 92618 USA

Tel: (949) 465-0900

Fax: (949) 465-0905

www.futek.com



U.S. Manufacturer