

# FUTEK MODEL LCB450 (L1659) *FATIGUE RATED ROD END TENSION AND COMPRESSION LOAD CELL*

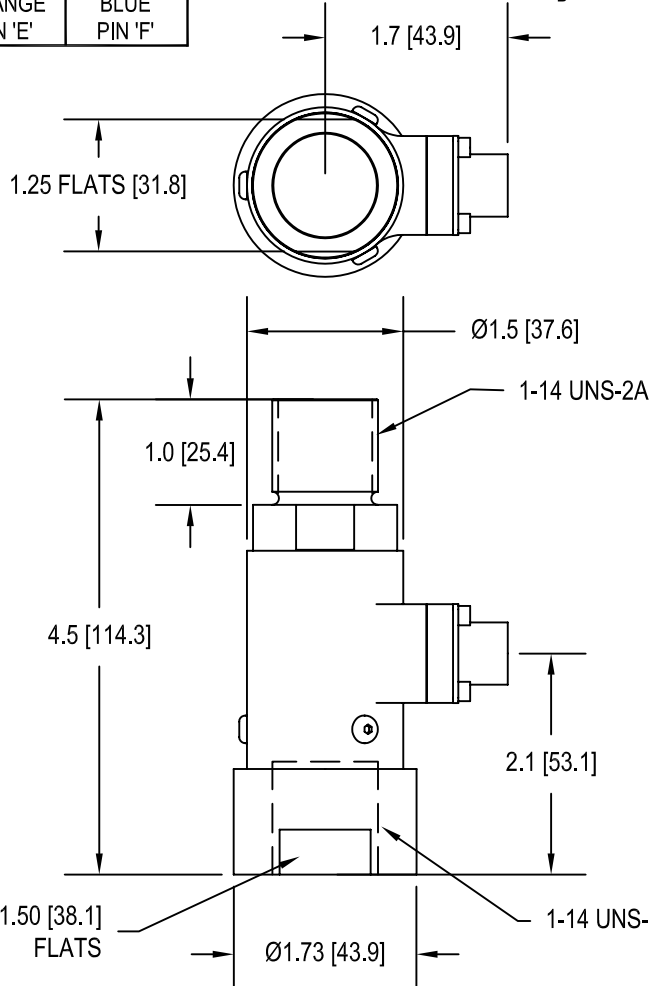
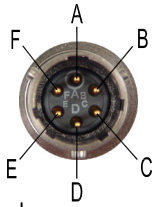
*\* DIRECT REPLACEMENT FOR GSE MODEL 5421*

Drawing Number: FI1066

INCH [mm] | R.O.= Rated Output

WIRING CODE (CC1)

+Excitation	-Excitation	+Signal	-Signal
RED PIN 'A'	BLACK PIN 'B'	GREEN PIN 'C'	WHITE PIN 'D'
+Sense	-Sense		
ORANGE PIN 'E'	BLUE PIN 'F'		



BENDIX RECEPTACLE  
PT02E-10-6P  
\*MATING RECEPTACLE  
PT06A-10-6S-SR  
(NOT INCLUDED)



### SPECIFICATIONS:

RATED OUTPUT	2 mV/V nom.
SAFE OVERLOAD	300% of R.O.
ZERO BALANCE	±3% of R.O.
EXCITATION (VDC OR VAC)	18 MAX
BRIDGE RESISTANCE	350 $\Omega$ nom.
NONLINEARITY	±0.5% of R.O.
HYSTERESIS	±0.5% of R.O.
NONREPEATABILITY	±0.1% of R.O.
TEMP. SHIFT ZERO	±0.005% of R.O./°F [0.01% of R.O./°C]
COMPENSATED TEMP.	60 to 160°F [15 to 72°C]
OPERATING TEMP.	-60 to 200°F [-50 to 93°C]
WEIGHT	20 oz [567 g]
MATERIAL (FLEXURE)	17-4PH S.S.
DEFLECTION	0.001 [0.03] nom.
CONNECTOR: BENDIX 6 Pin Receptacle (PT02E-10-6P)	
ACCESSORIES AND RELATED INSTRUMENTS AVAILABLE	
CALIBRATION (STD)	5 pt. TENSION; 60.4 K $\Omega$ SHUNT CAL. VALUE
CALIBRATION (AVAILABLE)	COMPRESSION
CALIBRATION TEST EXCITATION	10 VDC

### CAPACITIES

STK #	lb	N
FSH00710	5K	22240
FSH00711	10K	44480
FSH00712	20K	88960

**FUTEK**  
ADVANCED SENSOR TECHNOLOGY, INC.

This drawing is submitted solely for the information and exclusive use of the original addressee. It is not to be divulged in whole or in part, by any firm or individual without written permission from FUTEK

CAGE CODE # 1X8M6

10 THOMAS  
IRVINE, CA 92618 USA  
1-800-23-FUTEK (38835)

INTERNET:  
<http://www.futek.com>