



FEATURES

- Fast response and low deflection
- Notable Nonlinearity
- Robust cable strain relief
- For use in both tension and compression
- Miniature size

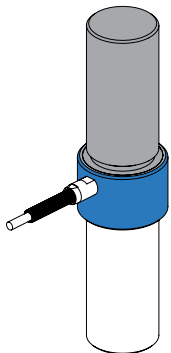
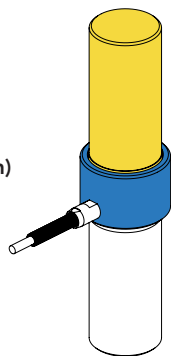
■ Non-loading surface, do not contact

■ Active End

■ Fixed End

+ Output (tension)

- Output (compression)



SPECIFICATIONS

PERFORMANCE

| | |
|------------------|-------------|
| Nonlinearity | ±0.2% of RO |
| Hysteresis | ±0.2% of RO |
| Nonrepeatability | ±0.1% of RO |

ELECTRICAL

| | |
|-------------------------|--------------------------------------------------------------------|
| Rated Output (RO) | 2 mV/V nom |
| Excitation (VDC or VAC) | 18 max |
| Bridge Resistance | 350 Ohm nom |
| Insulation Resistance | ≥500 MOhm @ 50 VDC |
| Connection | #28 AWG, 4 conductor, braided shielded PVC cable, 10 ft [3 m] long |

Wiring/Connector Code WC1

MECHANICAL

| | |
|----------------------|--------------------------|
| Weight (approximate) | 18 oz [510 g] |
| Safe Overload | 150% of RO |
| Deflection | 0.004 in. [0.102 mm] nom |
| Material (flexure) | 17-4 PH stainless-steel |
| IP Rating | IP64 |

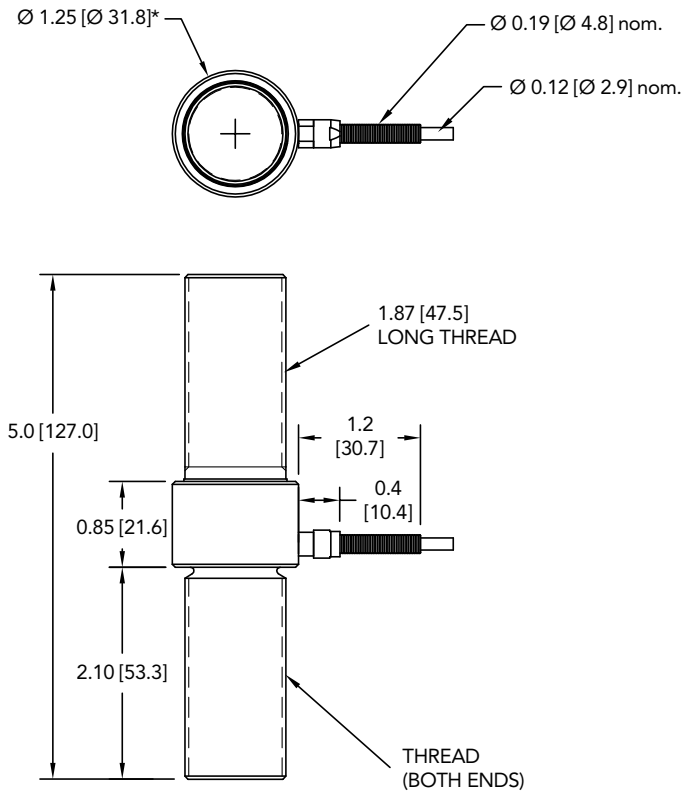
TEMPERATURE

| | |
|-------------------------|---------------------------------------|
| Operating Temperature | -45 to 200°F (-42 to 93°C) |
| Compensated Temperature | 60 to 160°F (15 to 72°C) |
| Temperature Shift Zero | ±0.005% of RO/°F (0.01% of RO/°C) |
| Temperature Shift Span | ±0.005% of Load/°F (0.01% of Load/°C) |

CALIBRATION

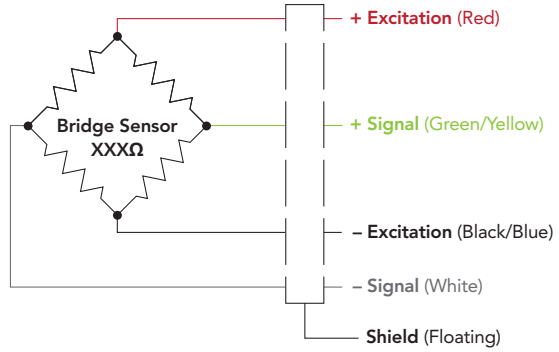
| | |
|-----------------------------|--------------|
| Calibration Test Excitation | 10 VDC |
| Calibration (standard) | 5-pt Tension |
| Calibration (available) | Compression |
| Shunt Calibration Value | 60.4 kOhm |

DIMENSIONS inches [mm]



WIRING CODE (WC1 WITH SHIELD)

| | |
|--------|--------------|
| RED | + EXCITATION |
| BLACK | - EXCITATION |
| GREEN | + SIGNAL |
| WHITE | - SIGNAL |
| SHIELD | FLOATING |



CAPACITIES

| ITEM # | klb | kN | Thread | Natural Frequency (kHz) |
|----------|-----|------|--------|-------------------------|
| FSH00839 | 20 | 88.9 | 1-14 | 9.9 |
| FSH00844 | 20 | 88.9 | M24x3 | 9.9 |



Drawing Number: FI1095-H

FUTEK reserves the right to modify its design and specifications without notice. Please visit www.futek.com/salesterms for complete terms and conditions.

10 Thomas, Irvine, CA 92618 USA

Tel: (949) 465-0900

Fax: (949) 465-0905

www.futek.com



U.S. Manufacturer