

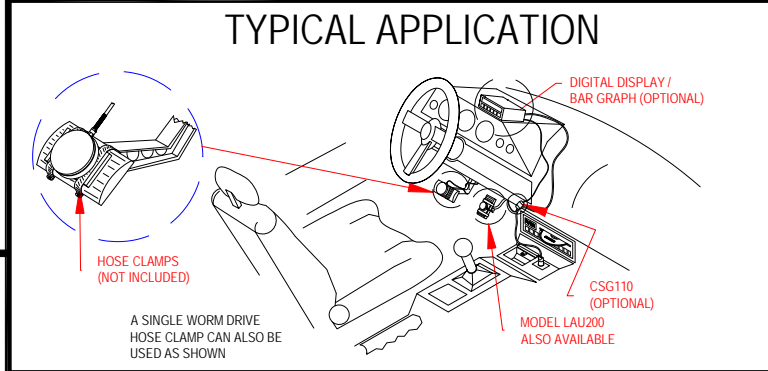
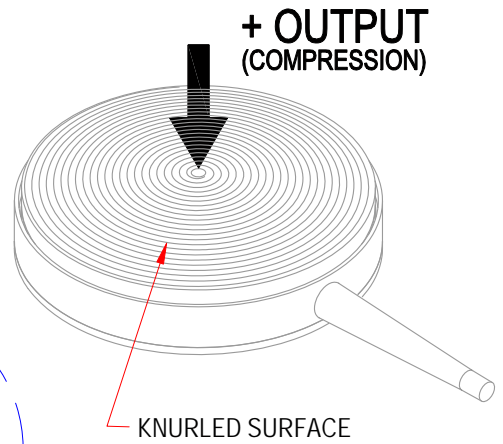
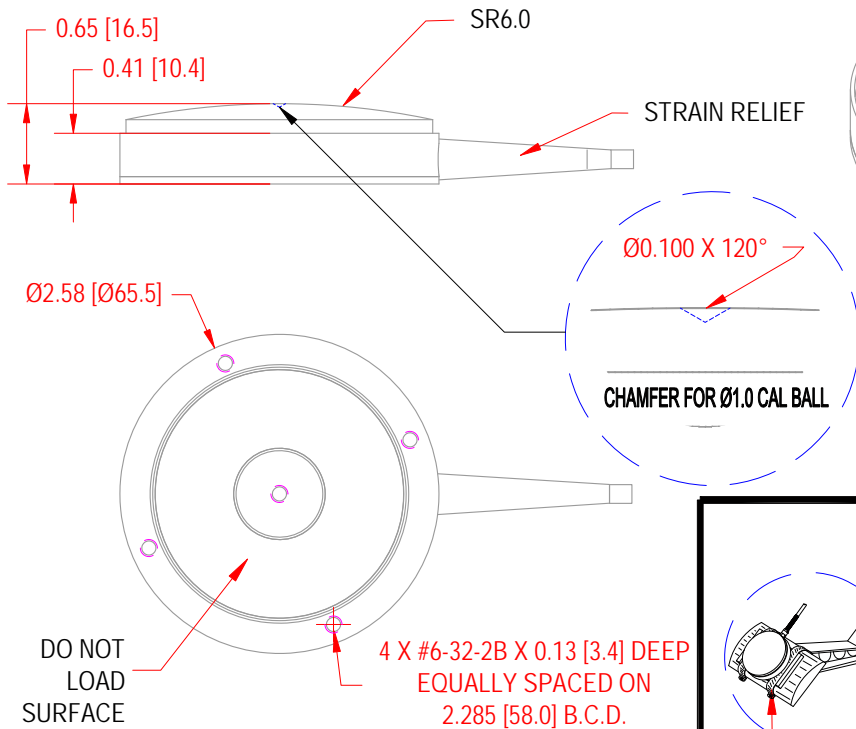
FUTEK MODEL LAU220 (L1055)

SPIKE RESISTANT PEDAL FORCE SENSOR WITH IMPROVED OFF CENTER LOADING

Drawing Number: FI1048

INCH [mm] | R.O.= Rated Output

| WIRING CODE (WC1) | | | |
|-------------------|-------------|---------|---------|
| +Excitation | -Excitation | +Signal | -Signal |
| RED | BLACK | GREEN | WHITE |



MODEL LAU220 INCLUDES (ONE OF EACH) TOTAL WEIGHT 2 lb [0.9 Kg]

- MOUNTING PLATE STK# MCP00218 ,
- STK# MCP01098
- 100 KOHM SHUNT CAL. CARRYING CASE

MOUNTING PLATES (Aluminum, Clear Anodized)

SPECIFICATIONS:

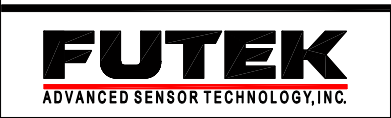
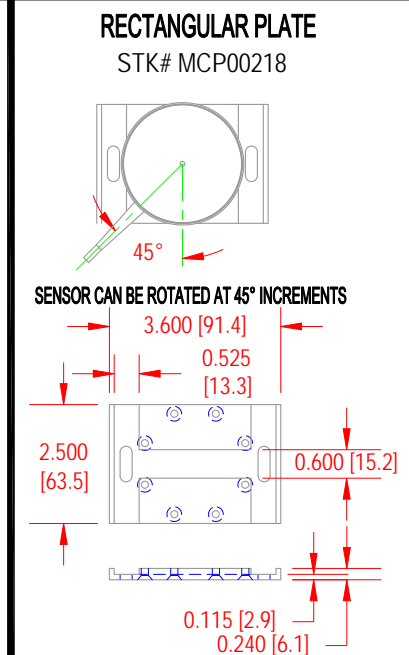
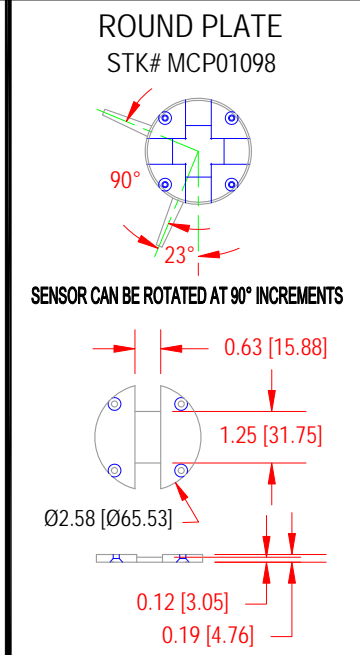
- RATED OUTPUT: 2-3 mV/V nom.
- SAFE OVERLOAD: 150% of R.O.
- ZERO BALANCE: ±3% of R.O.
- EXCITATION (VDC OR VAC): 20 MAX
- BRIDGE RESISTANCE: 700 Ω nom.
- OFF CENTER LOADING: ±1% OR BETTER @ 0.625 FROM CENTER
- NONLINEARITY: ±0.25% of R.O.
- HYSTERESIS: ±0.25% of R.O.
- NONREPEATABILITY: ±0.1% of R.O.
- TEMP. SHIFT ZERO: ±0.003% of R.O./°F [0.018% of R.O./°C]
- TEMP. SHIFT SPAN: ±0.01% of LOAD/°F [0.018% of LOAD/°C]
- COMPENSATED TEMP.: 60 to 160°F [15 to 72°C]
- OPERATING TEMP.: -60 to 200°F [-50 to 93°C]
- WEIGHT: 16 oz [454 g]
- MATERIAL: 17-4PH S.S.
- DEFLECTION: 0.006 [0.15] nom.

CABLE: #24 AWG, 4 Conductor, Braided Shielded PVC Cable 10 ft [3 m]

ACCESSORIES AND RELATED INSTRUMENTS AVAILABLE
 CALIBRATION (STD) 5 pt. COMPRESSION; 100K Ω SHUNT CAL VALUE
 CALIBRATION TEST EXCITATION 10 VDC

*DUE TO WELDED CONSTRUCTION ZERO BALANCE MAY BE DONE AT CABLE END

| CAPACITIES | | |
|------------|-----|------|
| STK # | lb | N |
| FSH00240 | 300 | 1334 |
| FSH00992 | 500 | 2224 |



This drawing is submitted solely for the information and exclusive use of the original addressee. It is not to be divulged in whole or in part, by any firm or individual without written permission from FUTEK

10 THOMAS
 IRVINE, CA 92618 USA
 1-800-23-FUTEK (38835)

INTERNET:
<http://www.futek.com>