

FUTEK MODEL MBA400

BI-AXIAL LOAD ARM

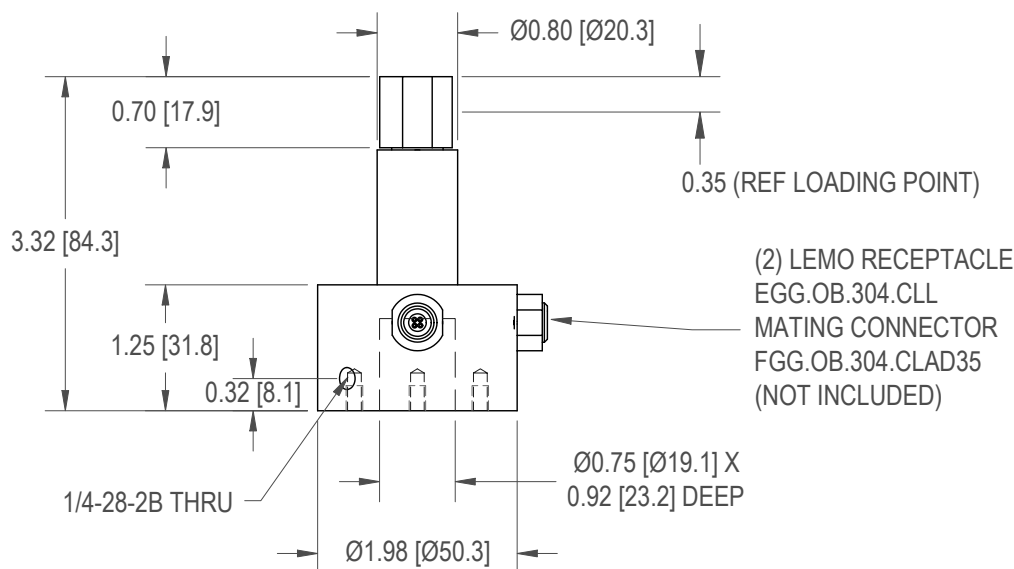
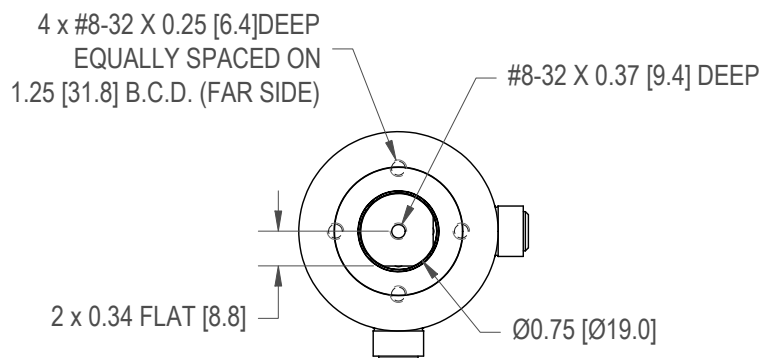
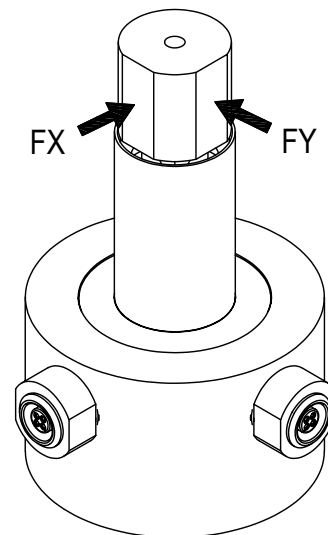
(PREVIOUSLY L3010)

Drawing Number: F11230-A

INCH [mm] | R.O.= Rated Output

WIRING CODE (CC 4)

+Excitation	-Excitation	+Signal	-Signal
RED	BLACK	GREEN	WHITE



SPECIFICATIONS:

RATED OUTPUT	SEE CHART
CAPACITY	SEE CHART
SAFE OVERLOAD	150% of R.O.
ZERO BALANCE	1% of R.O.
EXCITATION (VDC OR VAC)	18 MAX
BRIDGE RESISTANCE	350 Ω nom.
NONLINEARITY	±0.1% of R.O.
TEMP. SHIFT ZERO	±0.025 of R.O./F° (0.045% of R.O./C°)
TEMP. SHIFT SPAN	±0.01% of LOAD/F (0.018% of LOAD /C°)
COMPENSATED TEMP.	60 to 160°F (16 to 71°C)
OPERATING TEMP.	-60 to 200°F (-51 to 93°C)
WEIGHT	16 oz (454 g)
MATERIAL	STAINLESS STEEL
CONNECTOR: 4 Pin LEMO Receptacle (EGG.OB.304.CLL)	
ACCESSORIES AND RELATED INSTRUMENTS AVAILABLE	
CALIBRATION (STD) FX and FY	5 pt TENSION; 60.4KΩ (50 lb), 43.575KΩ (200 lb) SHUNT CAL. VALUE
CALIBRATION (AVAILABLE)	COMPRESSION
CALIBRATION TEST EXCITATION	10 VDC

STOCK NO:	CAPACITIES		R.O. (nom.)
	lb	N	
FSH01071	50	223	2 mV/V
FSH01070	200	890	3 mV/V