

FUTEK MODEL IBT500
STOCK NUMBER: FSH01442

BENCH TOP DIGITAL DISPLAY

W/ RS232, ANALOG OUTPUT, and ALARMS / RELAYS

Drawing Number: FI1034

INCH [mm] | R.O.= Rated Output

FEATURES:

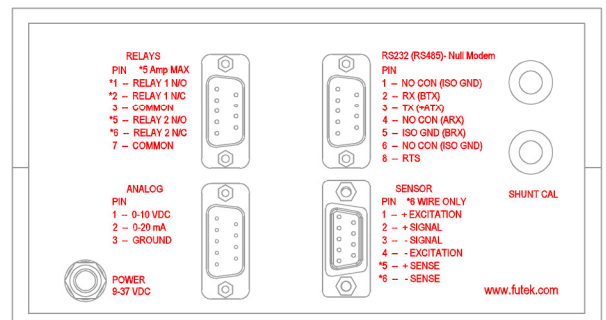
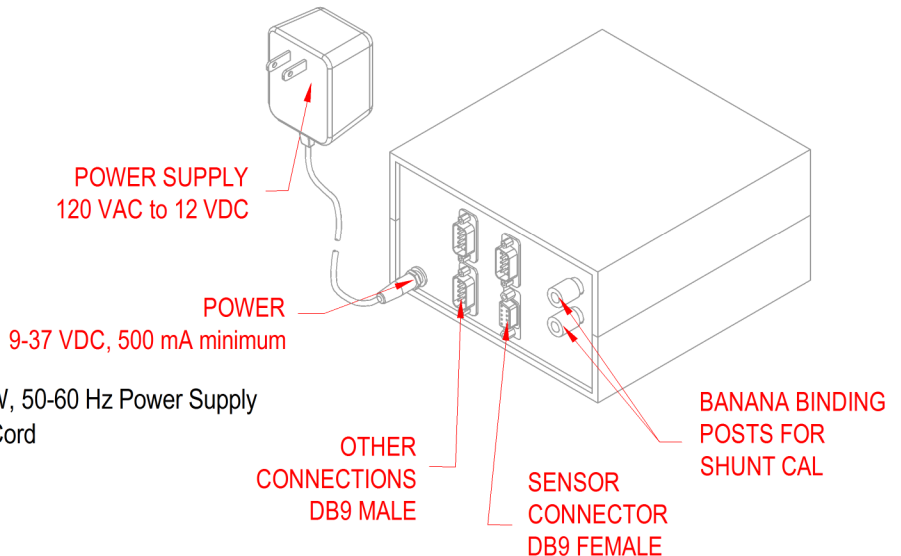
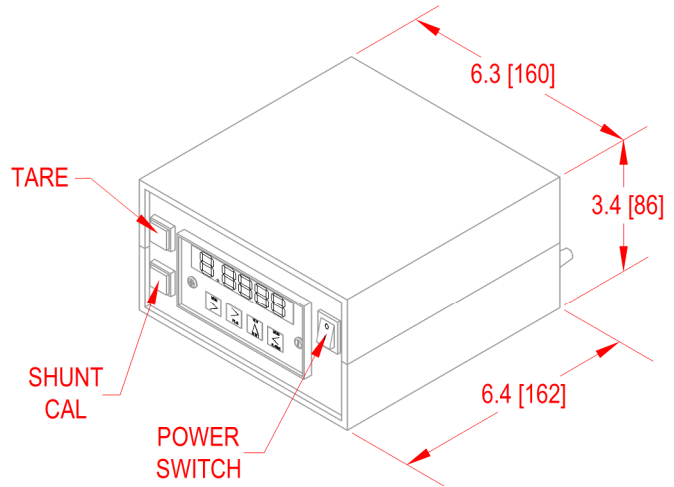
- 60 Conversions per second
- Scalable to 5 digits. $\pm 99,999$
- 120 VAC Wall Socket Power Supply
- Converter to 12 VDC Included
- 10 VDC @ 120 mA Excitation to power sensors
- Optional (5 VDC @ 50 mA)
- Front Push Button Tare and Shunt Cal
- Shunt Cal Resistor for Calibration
- DB9 Female Connector for Sensor
- DB9 Male Connector for Analog Output
- 0 to 10 Vdc or 0 to 20 mA
- DB9 Male Connector for Dual setpoint controller (Alarm)
w/2 Form C contact relays: 5 Amp Max
- DB9 Male Connector for RS232
- RS232 Baud rates from 300 to 19,200
- Includes 3 DB9 Female & 1 DB9 Male Connectors w/ Enclosures
- Weight: 1.75 lb [0.8 Kg]

ENVIRONMENT:

- Operating Temperature: 32 °F to 130 °F [0 °C to 55 °C]
- Storage Temperature: -40 °F to 150 °F [-40 °C to 65 °C]
- Relative Humidity: 90% at 100 °F [38 °C]

ACCESORIES

- GOD00681 (RP13431)- 110 -220 VAC, 30W, 50-60 Hz Power Supply
- GOD00682 (RP13432)- Power Supply AC Cord



NOTE: IF SENSOR HAS 4 WIRES YOU MUST JUMP PIN 5 TO PIN 1 AND PIN 6 TO PIN 4 ON MATING DB9 MALE CONNECTOR

FUTEK
ADVANCED SENSOR TECHNOLOGY, INC.

This drawing is submitted solely for the information and exclusive use of the original addressee. It is not to be divulged in whole or in part, by any firm or individual without written permission from FUTEK
CAGE CODE # 1X8M6

10 THOMAS
IRVINE, CA 92618 USA
1-800-23-FUTEK (38835)

INTERNET:
<http://www.futek.com>