

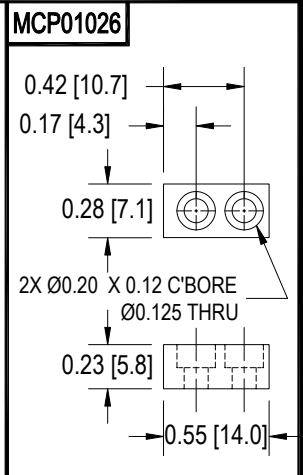
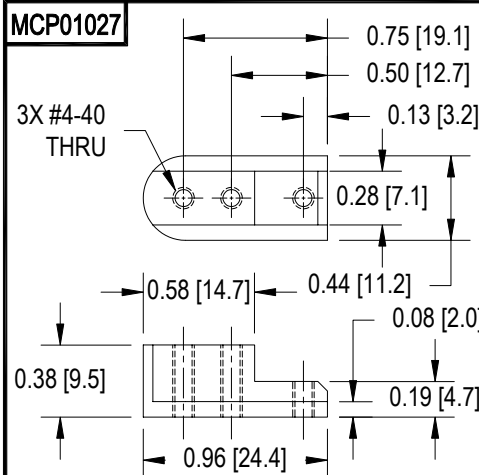
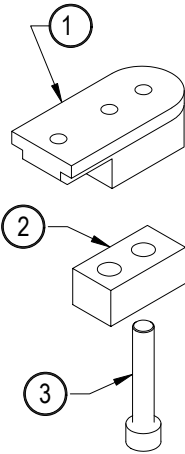
FUTEK MODEL FBB300 (FR1010) MOUNTING KIT / INSTALLATION

Drawing Number: FI1114

INCH (mm) | R.O.= Rated Output

WIRING CODE (WC1)			
+Excitation	-Excitation	+Signal	-Signal
RED	BLACK	GREEN	WHITE

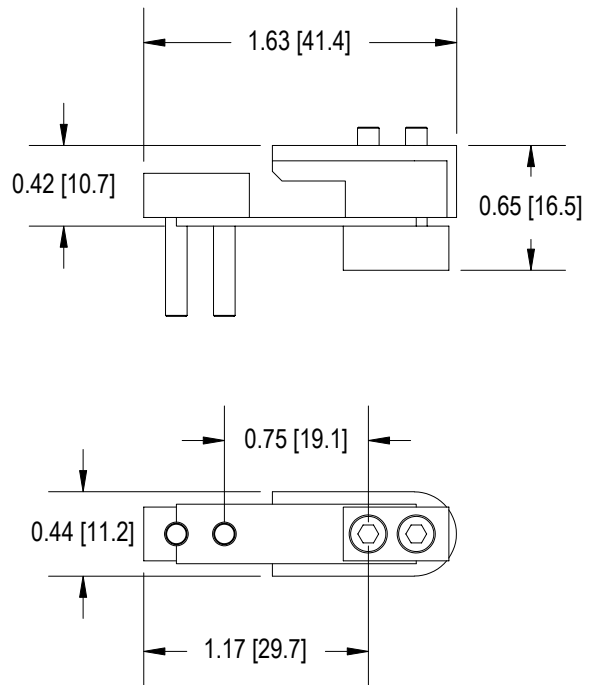
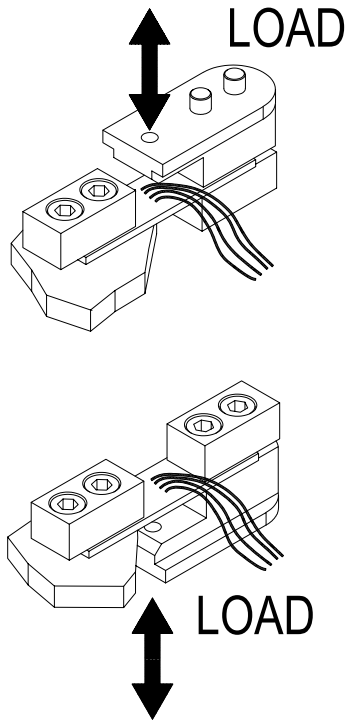
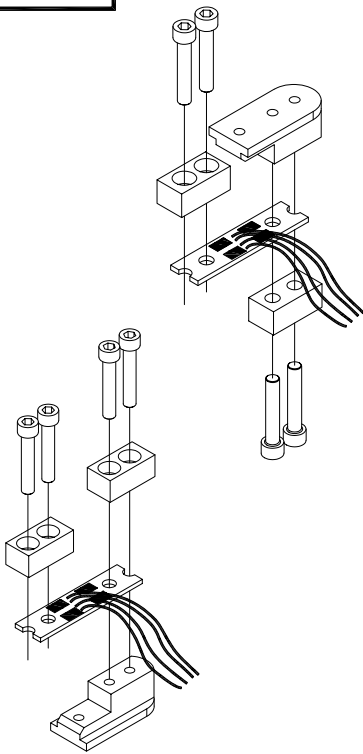
Item	STK#	Material	QTY
1	MCP01027	Aluminum	2
2	MCP01026	Aluminum	2
3	GOD00189	SHC 18-8 S.S.	4



EXPLODED

ASSEMBLED

ASSEMBLED DIMENSIONS



EXPLODED

ASSEMBLED

ASSEMBLED DIMENSIONS

