

# FUTEK MODEL LCA300

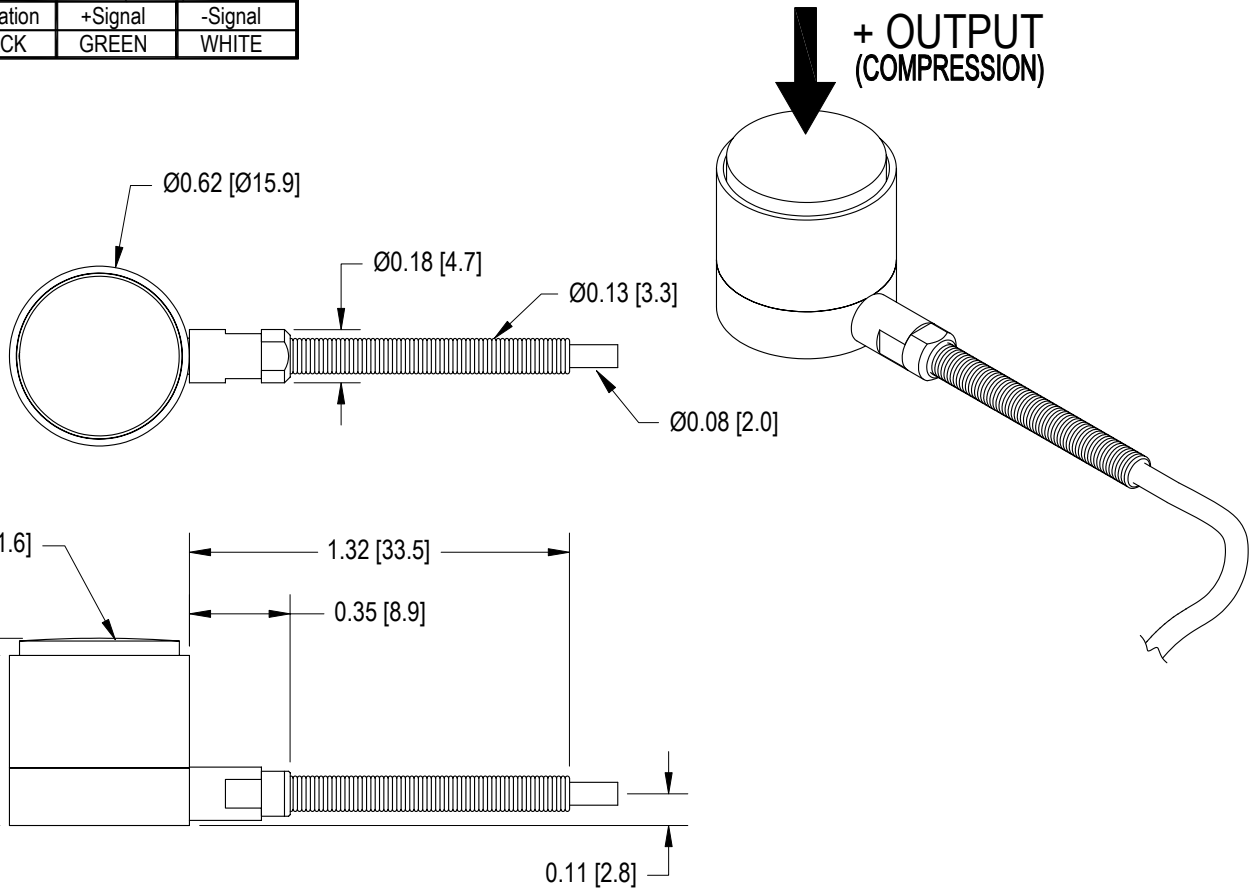
# MINIATURE LOAD COLUMN LOAD CELL (Previously L1645)

Drawing Number: FI1168

INCH [mm] | R.O.= Rated Output

WIRING CODE (WC1)

+Excitation	-Excitation	+Signal	-Signal
RED	BLACK	GREEN	WHITE



STK#	CAPACITIES	
	lb	N
FSH01765	2K	8896
FSH01766	3K	13344
FSH01767	5K	22240

## SPECIFICATIONS:

RATED OUTPUT	2 mV/V nom.
SAFE OVERLOAD	150% of R.O.
ZERO BALANCE	±1% of R.O.
EXCITATION (VDC OR VAC)	18 MAX
BRIDGE RESISTANCE	350 Ω nom
NONLINEARITY	±1% of R.O.
HYSTERESIS	±1% of R.O.
NONREPEATABILITY	±0.5% of R.O.
TEMP. SHIFT ZERO	±0.01% of R.O./°F [0.018% of R.O./°C]
TEMP. SHIFT SPAN	±0.02% of LOAD/°F [0.036% of LOAD/°C]
COMPENSATED TEMP.	60 to 160°F [15 to 72°C]
OPERATING TEMP.	-60 to 200°F [-50 to 93°C]
MATERIAL	17-4PH S.S.
DEFLECTION	0.002 [0.051]
CABLE: #29 AWG, 4 Conductor, Spiral Shielded Teflon Cable 10 ft [3] Long	
ACCESSORIES AND RELATED INSTRUMENTS AVAILABLE	
CALIBRATION (STD)	5 pt. COMPRESSION; 60.4KΩ SHUNT CAL. VALUE
CALIBRATION TEST EXCITATION	10 VDC