



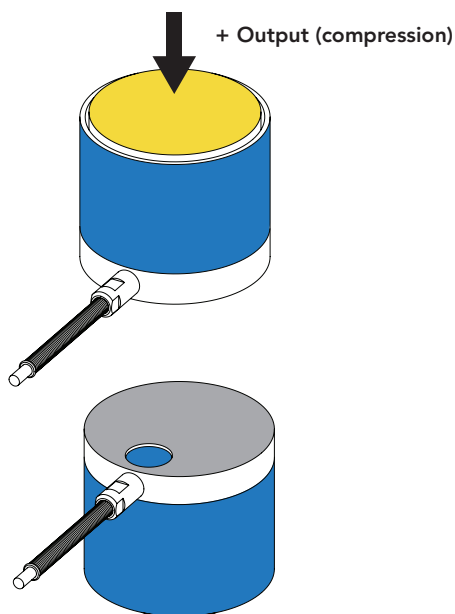
## FEATURES

- Fast response time,
- Superior natural frequency
- Low deflection
- Small profile for tight spaces

Active end

Fixed end

Non-loading surface, do not contact



## SPECIFICATIONS

### PERFORMANCE

Nonlinearity	±0.5% of RO
Hysteresis	±0.5% of RO
Nonrepeatability	±0.25% of RO

### ELECTRICAL

Rated Output (RO)	2 mV/V nom
Excitation (VDC or VAC)	18 max
Bridge Resistance	350 Ohm nom
Insulation Resistance	≥500 MOhm @ 50 VDC
Connection	#29 AWG, 4 conductor, spiral shielded Teflon cable 10 ft [3 m] long

Wiring Code WC1

### MECHANICAL

Weight	0.33 lb
Safe Overload	150% of RO
Material	17-4 PH stainless-steel
IP Rating	IP64

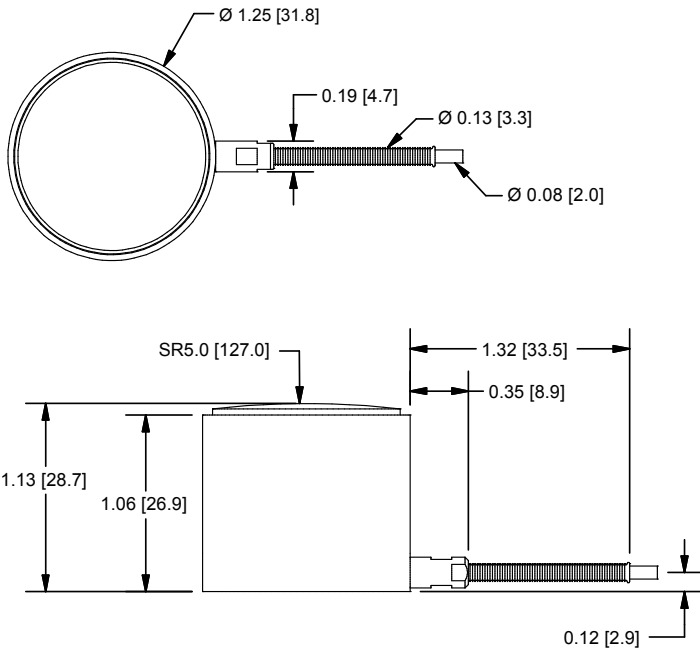
### TEMPERATURE

Operating Temperature	-60 to 200°F [-50 to 93°C]
Compensated Temperature	60 to 160°F [15 to 72°C]
Temperature Shift Zero	±0.01% of RO/°F [0.018% of RO/°C]
Temperature Shift Span	±0.02% of Load/°F [0.036% of Load/°C]

### CALIBRATION

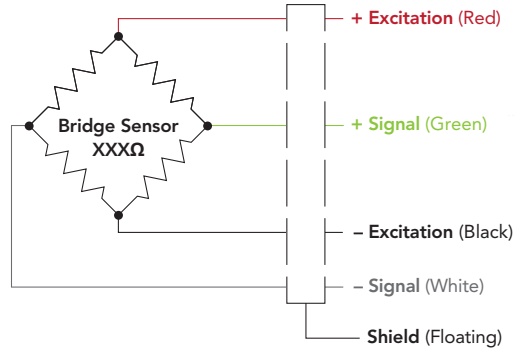
Calibration Test Excitation	10 VDC
Calibration (standard)	5-pt compression
Shunt Calibration Value	60.4 kOhm

## DIMENSIONS inches [mm]



## WIRING CODE (WC1 WITH SHIELD)

RED	+ EXCITATION
BLACK	- EXCITATION
GREEN	+ SIGNAL
WHITE	- SIGNAL
SHIELD	FLOATING



## CAPACITIES

ITEM #	lb	N	Deflection (in)	Natural Frequency (Hz)
FSH01770	15000	66720	0.003	22000
FSH01772	30000	133400	0.004	24300

Drawing Number: FI1170-C

FUTEK reserves the right to modify its design and specifications without notice. Please visit [www.futek.com/salesterms](http://www.futek.com/salesterms) for complete terms and conditions.

10 Thomas, Irvine, CA 92618 USA

Tel: (949) 465-0900

Fax: (949) 465-0905

[www.futek.com](http://www.futek.com)



U.S. Manufacturer