

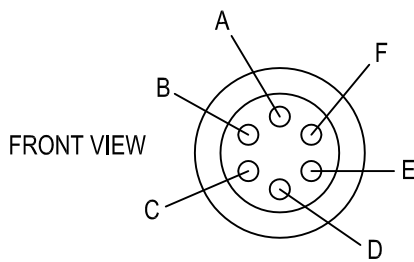
FUTEK MODEL ZCC950

6 Pin Bendix To Cable Assembly

Drawing Number: FI1111-C

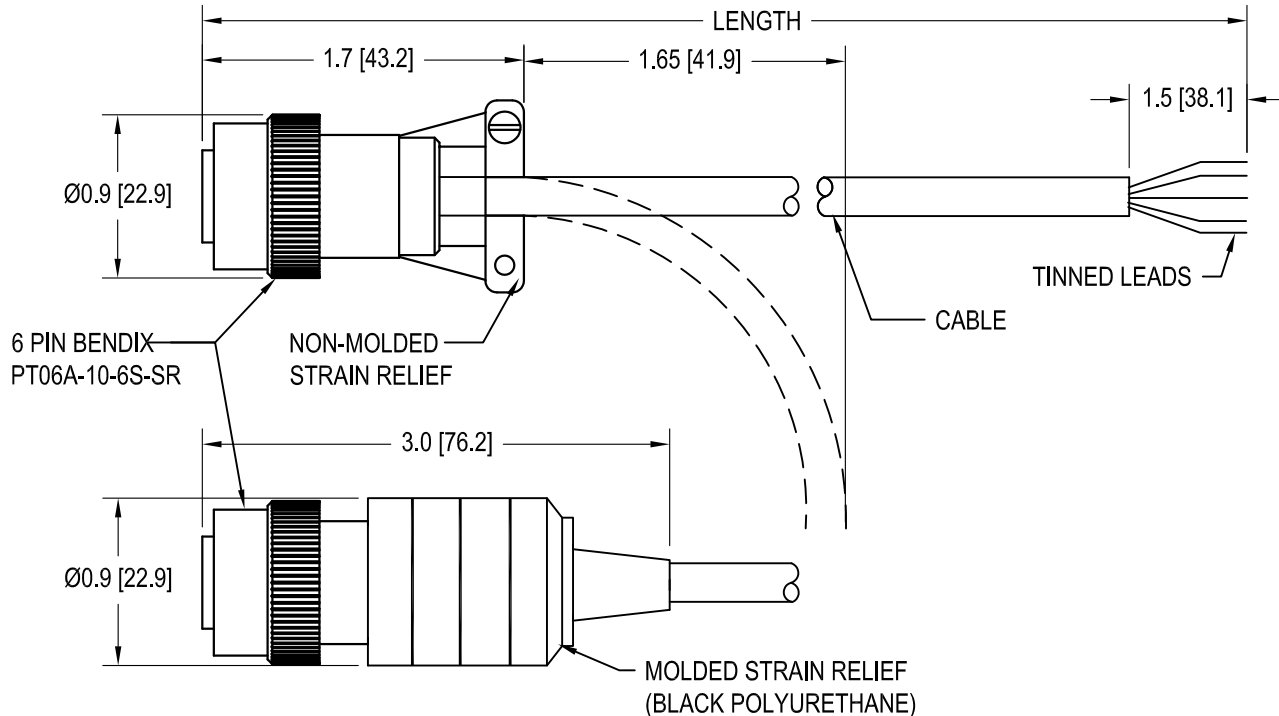
FOR FUTEK MODELS WITH CC1/CC2 CONNECTION

INCH [mm]



PIN	CC1 (*CC1T)	CC2 (*CC2T)
A	RED (+EXCITATION)	RED (+EXCITATION)
B	BLACK (-EXCITATION)	GREEN (+SIGNAL)
C	GREEN (+SIGNAL)	WHITE (-SIGNAL)
D	WHITE (-SIGNAL)	BLACK (-EXCITATION)
E	ORANGE (+SENSE / *TEDs DATA)	ORANGE (*TEDs DATA)
F	BLUE (-SENSE / *TEDs GROUND)	BLUE (*TEDs GROUND)
	SHIELD (FLOATING)	SHIELD (FLOATING)

* Wiring for sensor equipped with TEDs



STRAIN RELIEF	ITEM #	LENGTH	CODE	CABLE	SPECIFICATIONS			
MOLDED	FSH01793	5 ft	CC1 CC1T	28 AWG, 6 CONDUCTOR BRAIDED SHIELDED POLYURETHANE	TEMP: -40° to 176°F [-40° to 80°C]			
	FSH00244	10 ft						
	FSH01757	15 ft						
	FSH01794	20 ft						
	FSH02434	30 ft						
NON-MOLDED	FSH02327	10 ft				CC2 CC2T	DIAMETER: 0.165 [4.2] CABLE MINIMUM BEND RADIUS: 1.65 [41.9]	IP RATING IP65
	FSH01795	30 ft						
	FSH01796	50 ft						
	FSH01886	100 ft						
	FSH01800	5 ft						
	FSH01801	10 ft						
	FSH01802	15 ft						
	FSH01803	20 ft						
	FSH01804	30 ft						
	FSH01806	50 ft						
FSH02186	100 ft							