

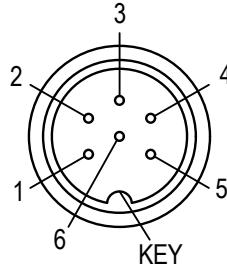
FUTEK MODEL ZCC910

6 Pin Binder To Cable Assembly

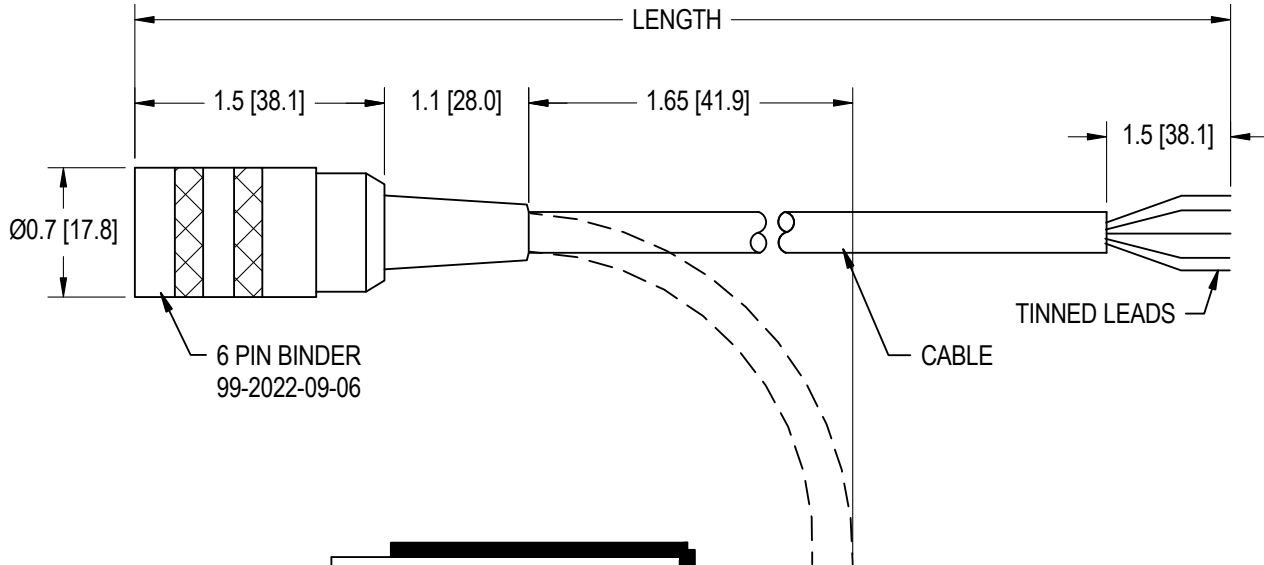
Drawing Number: FI1102-A

MATES WITH FUTEK MODEL TRD300, TRS300, TRH300

INCH [mm]



FRONT VIEW



PIN	WIRING CODE
1	BLACK (-EXCITATION)
2	RED (+EXCITATION)
3	NO CONNECTION
4	GREEN (+SIGNAL)
5	WHITE (-SIGNAL)
6	ORANGE (SHUNT CAL)
	SHIELD (FLOATING)

ITEM #	LENGTH	CABLE	SPECIFICATIONS
FSH02120	5 ft	28 AWG, 6 CONDUCTOR BRAIDED SHIELDED POLYURETHANE DIAMETER: 0.165 [4.2] CABLE MINIMUM BEND RADIUS: 1.65 [41.9]	TEMP: -40° to 176°F -40° to 80°C IP RATING IP50
FSH02023	10 ft		
FSH02122	20 ft		
FSH02123	30 ft		
FSH02124	50 ft		
FSH02125	100 ft		