

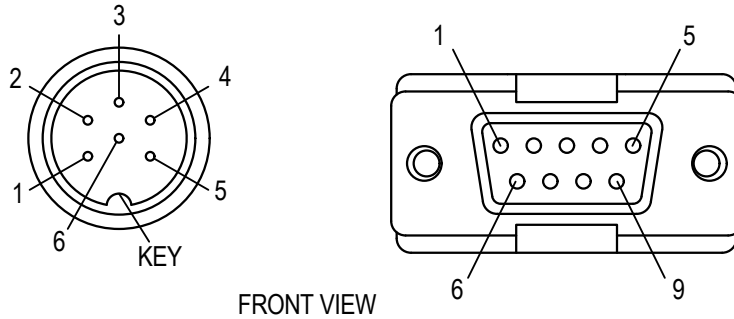
# FUTEK MODEL ZCC913

## 6 Pin Binder To DB9 Male Cable Assembly

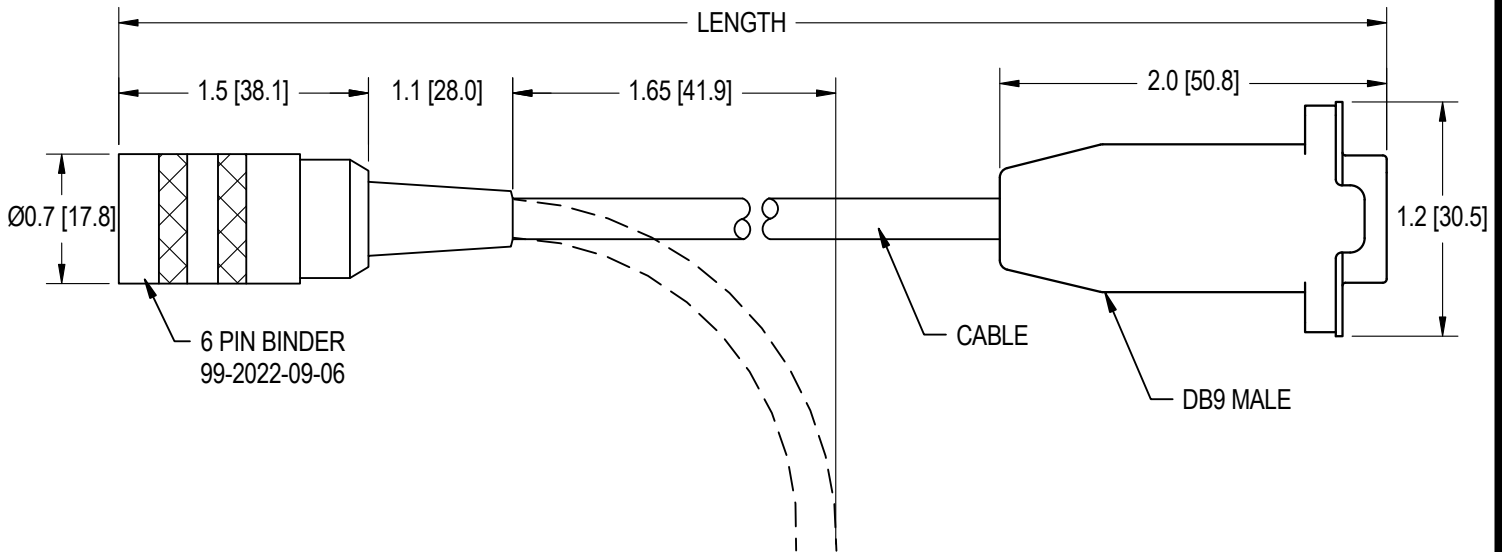
Drawing Number: FI1104-A

MATES FUTEK MODEL TRD300, TRS300, TRH300 w/ CSG110

INCH [mm]



FRONT VIEW



BINDER PIN OUT	DB25 PIN OUT	WIRING CODE
1	4	BLACK (-EXCITATION)
2	1	RED (+EXCITATION)
3	-	NO CONNECTION
4	2	GREEN (+SIGNAL)
5	3	WHITE (-SIGNAL)
6	-	NO CONNECTION
		SHIELD (FLOATING)

ITEM #	LENGTH	CABLE	SPECIFICATIONS
FSH02134	5 ft	28 AWG, 6 CONDUCTOR BRAIDED SHIELDED POLYURETHANE DIAMETER: 0.165 [4.2]  CABLE MINIMUM BEND RADIUS: 1.65 [41.9]	TEMP: -40° to 176°F -40° to 80°C
FSH02135	10 ft		
FSH02136	20 ft		
FSH02137	30 ft		IP RATING IP50
FSH02138	50 ft		
FSH02139	100 ft		