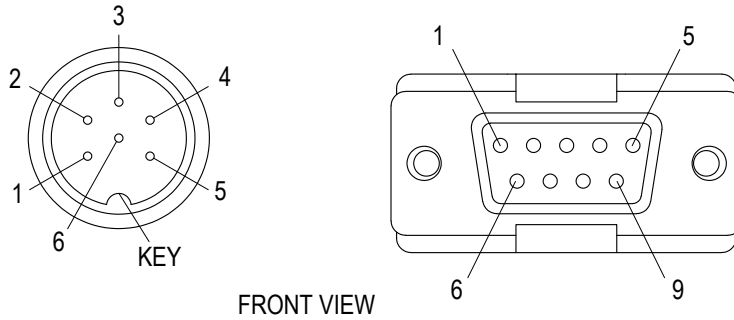
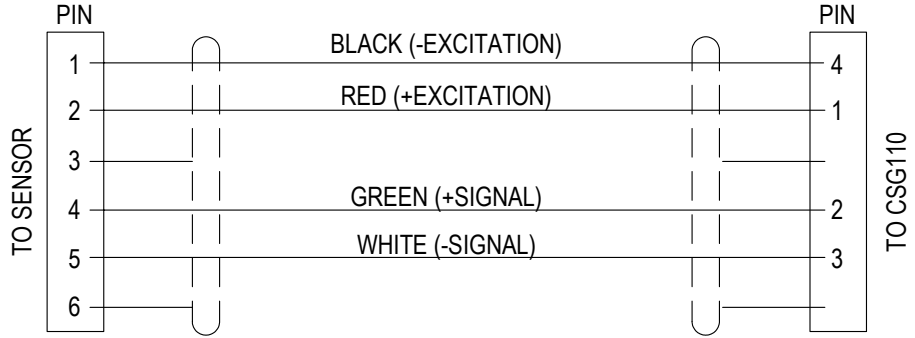
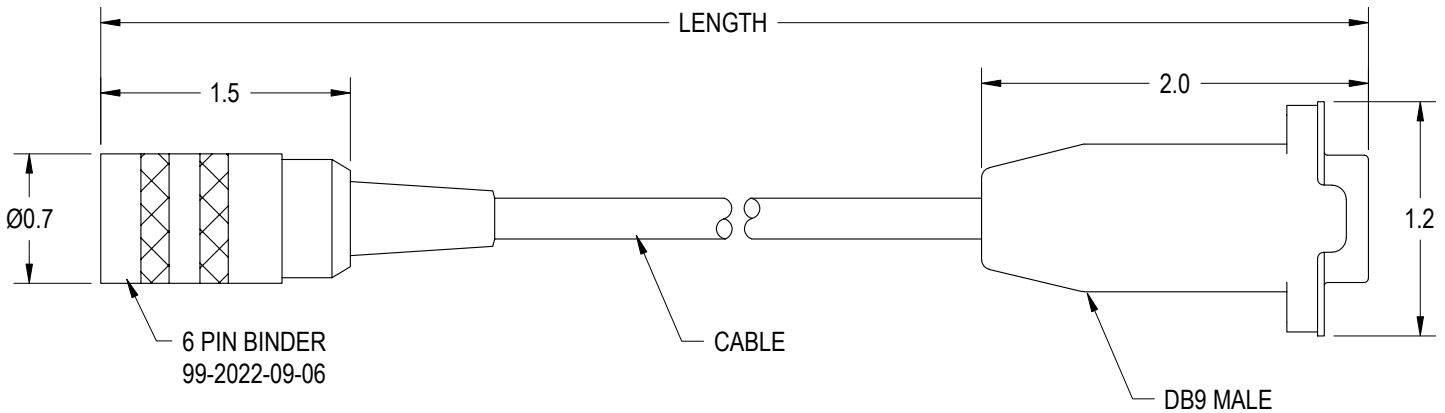


FUTEK MODEL ZCC913
Drawing Number: FI1104

6 Pin Binder To DB9 Male Cable Assembly
MATES FUTEK MODEL TRD300, TRS300, TRH300 w/ CSG110

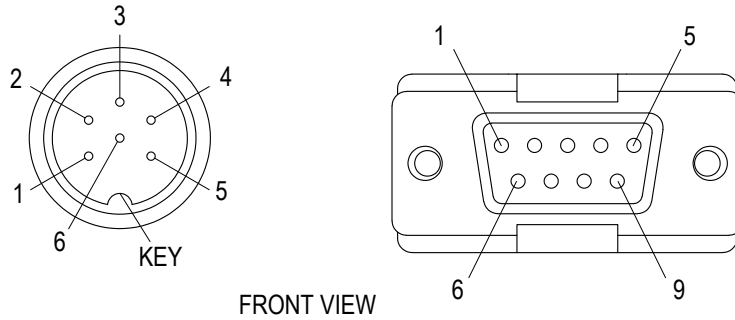


FRONT VIEW

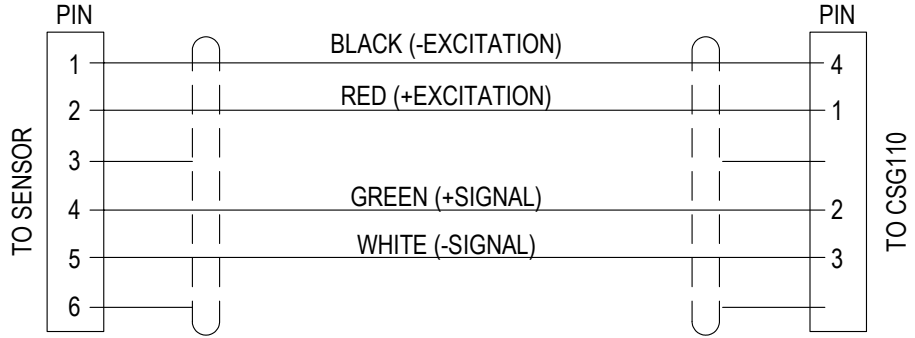
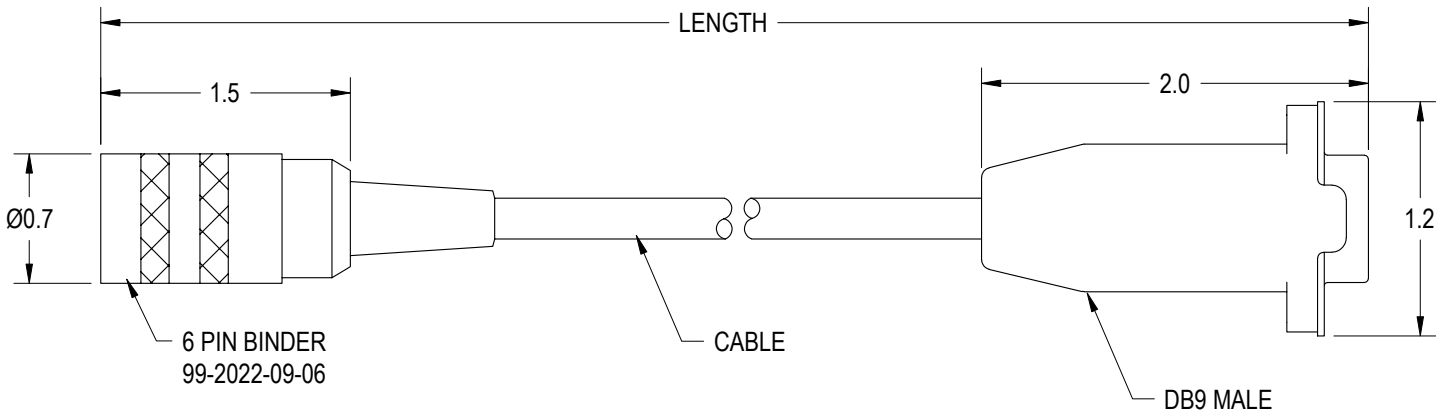


| STOCK # | LENGTH | CABLE |
|----------|--------|--|
| FSH02134 | 5 ft | 28 AWG, 6 CONDUCTOR BRAIDED SHIELDED POLYURETHANE |
| FSH02135 | 10 ft | |
| FSH02136 | 20 ft | |
| FSH02137 | 30 ft | |
| FSH02138 | 50 ft | |
| FSH02139 | 100 ft | |

FUTEK MODEL ZCC913 **6 Pin Binder To DB9 Male Cable Assembly**
Drawing Number: FI1104 **MATES FUTEK MODEL TRD300, TRS300, TRH300 w/ CSG110**



FRONT VIEW



| STOCK # | LENGTH | CABLE |
|----------|--------|--|
| FSH02134 | 5 ft | 28 AWG, 6 CONDUCTOR BRAIDED SHIELDED POLYURETHANE |
| FSH02135 | 10 ft | |
| FSH02136 | 20 ft | |
| FSH02137 | 30 ft | |
| FSH02138 | 50 ft | |
| FSH02139 | 100 ft | |