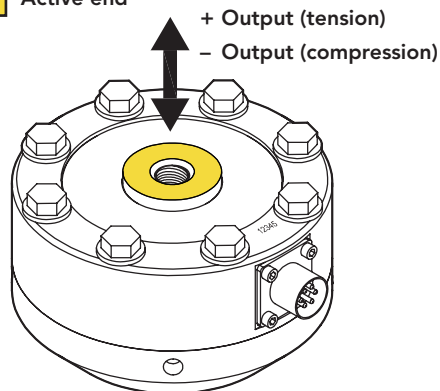




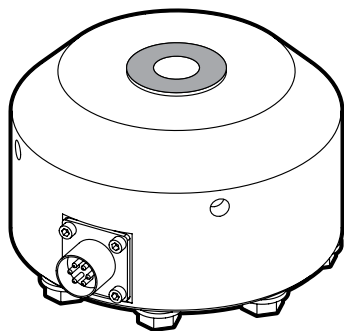
FEATURES

- Low profile design with tension base
- Amplified version available
- Utilizes metal foil strain gauge technology
- Highly resistant to off-axis loading

Active end



Fixed end



SPECIFICATIONS

PERFORMANCE

Nonlinearity	±0.1% of RO
Hysteresis	±0.2% of RO
Nonrepeatability	±0.02% of RO

ELECTRICAL

Rated Output (RO)	1 mV/V nom
Excitation (VDC or VAC)	20 max
Bridge Resistance	700 Ohm nom
Insulation Resistance	≥500 MOhm @ 50 VDC
Connection	6 Pin BENDIX Receptacle (PT02E)
Connector Code	CC1 Standard/CC1T

MECHANICAL

Weight (approximate)	2.5 lb [1.1 kg] (250-1000 lb) 6.9 lb [3.2 kg] (2500-5000 lb)
Safe Overload	150% of RO
Material	Anodized aluminum (250-1000 lb) 17-4 PH stainless-steel (2500-5000 lb)
IP Rating	IP65

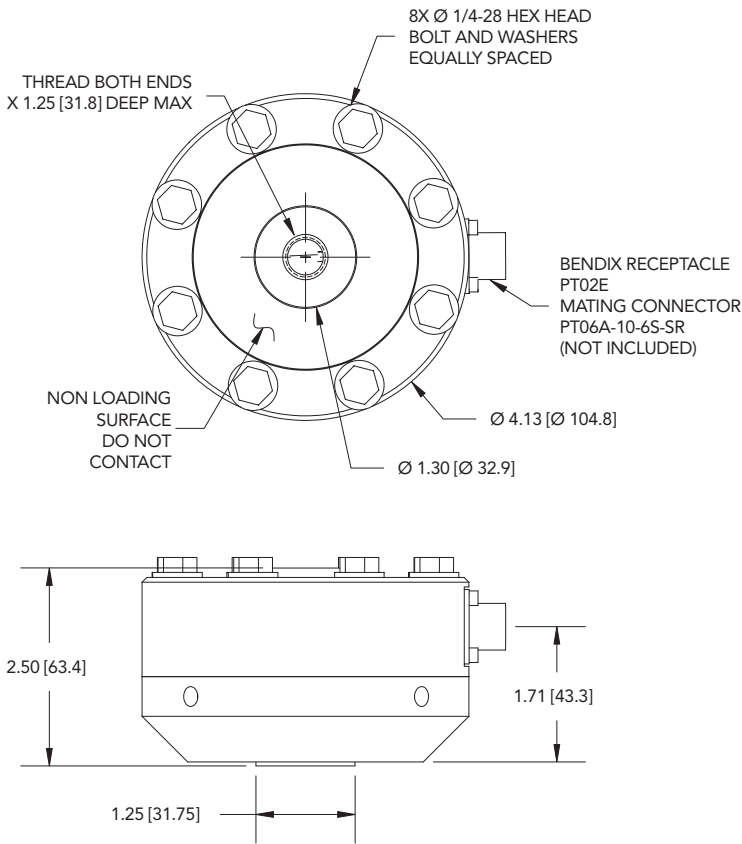
TEMPERATURE

Operating Temperature	-60 to 200°F [-50 to 93°C]
Compensated Temperature	60 to 160°F [15 to 72°C]
Temperature Shift Zero	±0.001% of RO/°F [0.0018% of RO/°C]
Temperature Shift Span	±0.002% of Load/°F [0.0036% of Load/°C]

CALIBRATION

Calibration Test Excitation	10 VDC
Calibration (standard)	5-pt compression
Calibration (available)	5-pt tension
Shunt Calibration Value	200 kOhm

DIMENSIONS inches [mm]

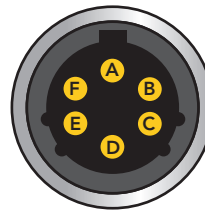


CAPACITIES

ITEM #	lb	N	Thread	Deflection (in)	Natural Frequency (Hz)
FSH00215	250	1112	5/8-18	0.0002	9000
FSH02213			M16 X 2		
FSH00216	500	2224	5/8-18	0.0005	7000
FSH02214			M16 X 2		
FSH00217	1000	4448	5/8-18	0.0005	9900
FSH02215			M16 X 2		
FSH00210	2500	11120	5/8-18	0.001	7000
FSH02216			M16 X 2		
FSH02249	5000	22240	5/8-18	0.002	7000
FSH02303			M16 X 2		

BENDIX 6-PIN (CC1/CC1T)

PIN	COLOR	DESCRIPTION	TEDS DESCRIPTION
A	Red	+ Excitation	+ Excitation
B	Black	- Excitation	- Excitation
C	Green	+ Signal	+ Signal
D	White	- Signal	- Signal
E	Orange	+ Sense	TEDS Data
F	Blue	- Sense	TEDS GND



Sensor Receptacle View

Drawing Number: FI1180-C

FUTEK reserves the right to modify its design and specifications without notice. Please visit www.futek.com/salesterms for complete terms and conditions.

10 Thomas, Irvine, CA 92618 USA

Tel: (949) 465-0900

Fax: (949) 465-0905

www.futek.com



U.S. Manufacturer