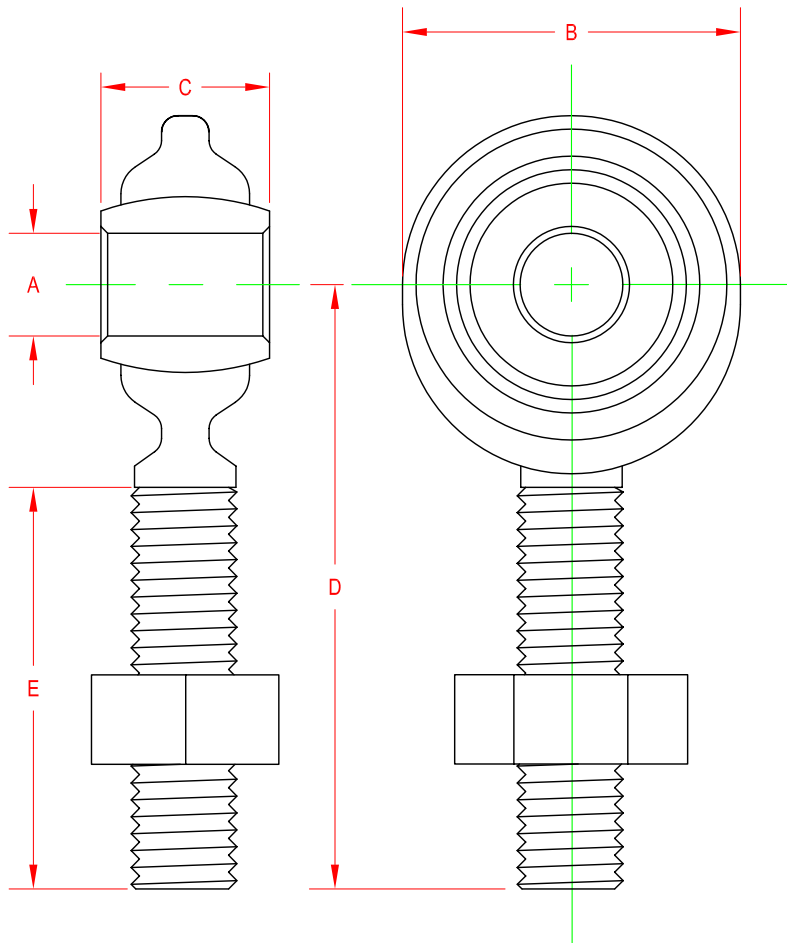


# ACCESSORIES

# MALE ROD END BEARING W/ JAM NUT

Drawing Number: FI1197-A

INCH [mm] | Material: ZINC PLATED STEEL



| ITEM#    | THREAD     | A           | B           | C           | D            | E           | LOAD RATING (lb) |
|----------|------------|-------------|-------------|-------------|--------------|-------------|------------------|
| FSH02328 | 10-32      | 0.19 [4.8]  | 0.63 [16.0] | 0.31 [7.9]  | 1.25 [31.8]  | 0.75 [19.1] | 1200             |
| FSH02329 | 1/4-28     | 0.25 [6.4]  | 0.75 [19.1] | 0.38 [9.7]  | 1.56 [39.6]  | 1.00 [25.4] | 2200             |
| FSH02330 | 5/16-24    | 0.31 [7.9]  | 0.88 [22.4] | 0.44 [11.2] | 1.88 [47.8]  | 1.25 [31.8] | 3600             |
| FSH02331 | 3/8-24     | 0.38 [9.7]  | 1.00 [25.4] | 0.50 [12.7] | 1.94 [49.3]  | 1.25 [31.8] | 5100             |
| FSH02332 | 7/16-20    | 0.44 [11.2] | 1.13 [28.7] | 0.56 [14.2] | 2.13 [54.1]  | 1.38 [35.1] | 6400             |
| FSH02333 | 1/2-20     | 0.50 [12.7] | 1.31 [33.3] | 0.63 [16.0] | 2.44 [62.0]  | 1.50 [38.1] | 8300             |
| FSH02334 | 5/8-18     | 0.63 [16.0] | 1.50 [38.1] | 0.75 [19.1] | 2.63 [66.8]  | 1.63 [41.4] | 9800             |
| FSH02335 | 3/4-16     | 0.75 [19.1] | 1.75 [44.5] | 0.88 [22.4] | 2.88 [73.2]  | 1.75 [44.5] | 14200            |
| FSH02336 | 1 1/4-12   | 1.00 [25.4] | 2.75 [69.9] | 1.38 [35.1] | 4.13 [104.9] | 2.13 [54.1] | 43500            |
| FSH02337 | M6 X 1     | 0.24 [6.0]  | 0.75 [19.0] | 0.35 [9.0]  | 1.42 [36.0]  | 0.87 [22.0] | 1600             |
| FSH02338 | M10 X 1.5  | 0.39 [10.0] | 1.06 [27.0] | 0.55 [14.0] | 1.89 [48.0]  | 1.14 [29.0] | 4700             |
| FSH02339 | M12 X 1.75 | 0.47 [12.0] | 1.18 [30.0] | 0.63 [16.0] | 2.13 [54.0]  | 1.30 [33.0] | 5800             |
| FSH02340 | M16 X 2    | 0.63 [16.0] | 1.50 [38.0] | 0.83 [21.0] | 2.60 [66.0]  | 1.57 [40.0] | 8400             |

**BALL JOINT HANDLES UP TO 17° OF MISALIGNMENT**