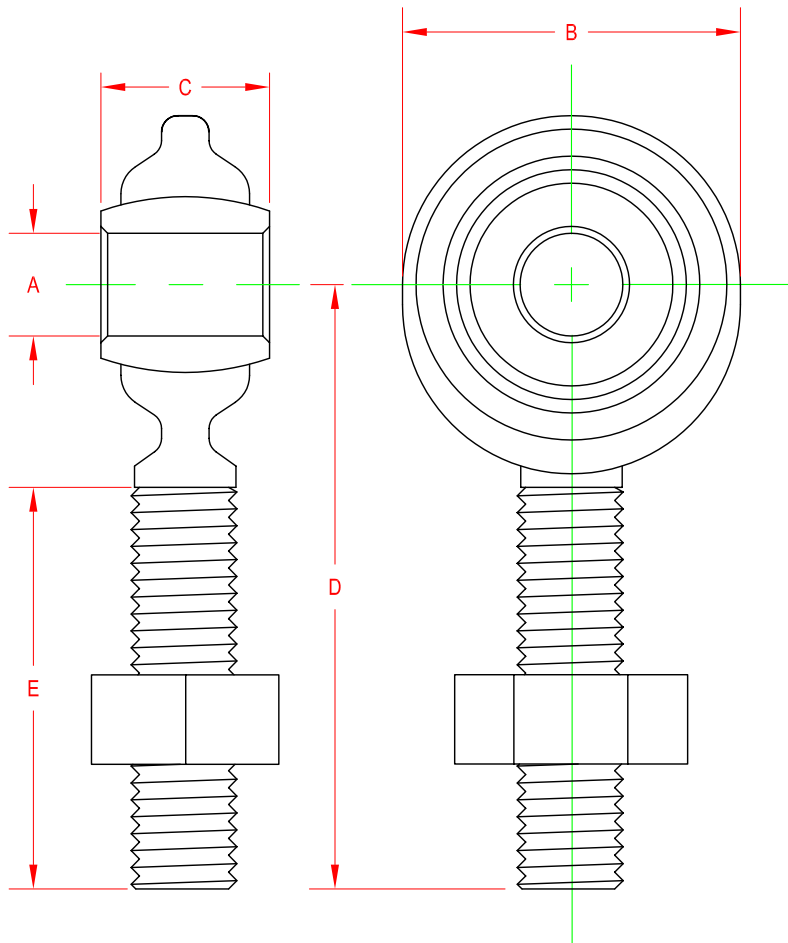


ACCESSORIES

MALE ROD END BEARING W/ JAM NUT

Drawing Number: FI1197-A

INCH [mm] | Material: ZINC PLATED STEEL



ITEM#	THREAD	A	B	C	D	E	LOAD RATING (lb)
FSH02328	10-32	0.19 [4.8]	0.63 [16.0]	0.31 [7.9]	1.25 [31.8]	0.75 [19.1]	1200
FSH02329	1/4-28	0.25 [6.4]	0.75 [19.1]	0.38 [9.7]	1.56 [39.6]	1.00 [25.4]	2200
FSH02330	5/16-24	0.31 [7.9]	0.88 [22.4]	0.44 [11.2]	1.88 [47.8]	1.25 [31.8]	3600
FSH02331	3/8-24	0.38 [9.7]	1.00 [25.4]	0.50 [12.7]	1.94 [49.3]	1.25 [31.8]	5100
FSH02332	7/16-20	0.44 [11.2]	1.13 [28.7]	0.56 [14.2]	2.13 [54.1]	1.38 [35.1]	6400
FSH02333	1/2-20	0.50 [12.7]	1.31 [33.3]	0.63 [16.0]	2.44 [62.0]	1.50 [38.1]	8300
FSH02334	5/8-18	0.63 [16.0]	1.50 [38.1]	0.75 [19.1]	2.63 [66.8]	1.63 [41.4]	9800
FSH02335	3/4-16	0.75 [19.1]	1.75 [44.5]	0.88 [22.4]	2.88 [73.2]	1.75 [44.5]	14200
FSH02336	1 1/4-12	1.00 [25.4]	2.75 [69.9]	1.38 [35.1]	4.13 [104.9]	2.13 [54.1]	43500
FSH02337	M6 X 1	0.24 [6.0]	0.75 [19.0]	0.35 [9.0]	1.42 [36.0]	0.87 [22.0]	1600
FSH02338	M10 X 1.5	0.39 [10.0]	1.06 [27.0]	0.55 [14.0]	1.89 [48.0]	1.14 [29.0]	4700
FSH02339	M12 X 1.75	0.47 [12.0]	1.18 [30.0]	0.63 [16.0]	2.13 [54.0]	1.30 [33.0]	5800
FSH02340	M16 X 2	0.63 [16.0]	1.50 [38.0]	0.83 [21.0]	2.60 [66.0]	1.57 [40.0]	8400

BALL JOINT HANDLES UP TO 17° OF MISALIGNMENT