

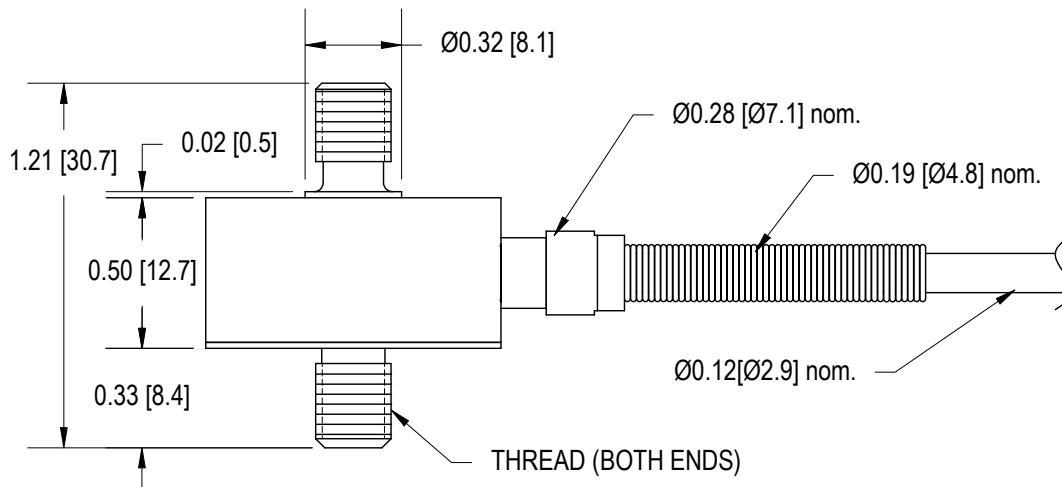
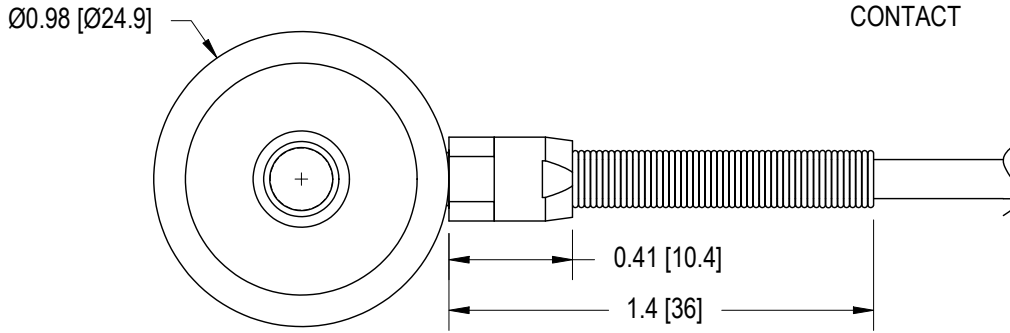
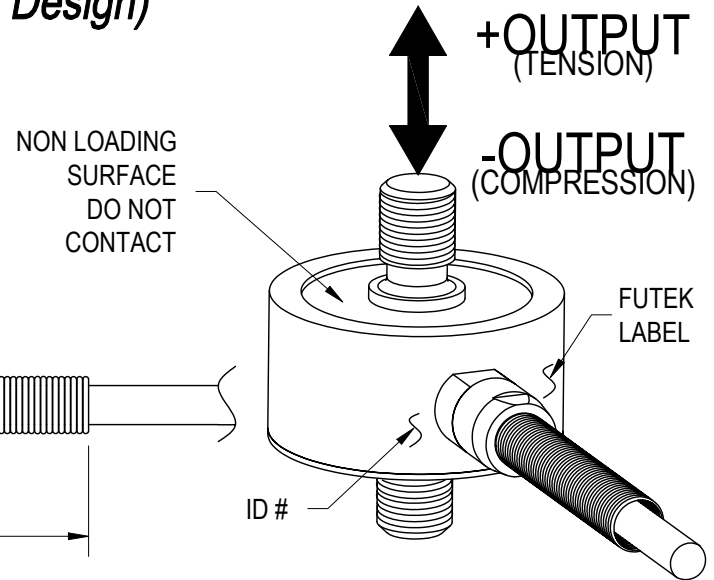
# FUTEK MODEL LCM300 (L1650) Tension and Compression Load Cell (Miniature/Inline Threaded) (Improved Design)

Drawing Number: FI1059-A

INCH [mm] R.O.= Rated Output

WIRING CODE (WC1)

+Excitation	-Excitation	+Signal	-Signal
RED	BLACK	GREEN	WHITE
Shield			
FLOATING			

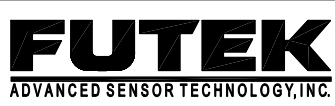


STK #	CAPACITIES		THREAD
	lb	N	
FSH02629	25	111	1/4-28-2A
FSH02698			M6X1
FSH02630	50	223	1/4-28-2A
FSH02699			M6X1
FSH02631	100	445	1/4-28-2A
FSH02700			M6X1
FSH02632	250	1112	1/4-28-2A
FSH02701			M6X1
FSH02633	500	2224	1/4-28-2A
FSH02702			M6X1
FSH02634	1000	4448	1/4-28-2A
FSH02703			M6X1

## SPECIFICATIONS:

RATED OUTPUT	2 mV/V nom.
SAFE OVERLOAD	150% of R.O.
ZERO BALANCE	±3% of R.O.
EXCITATION (VDC OR VAC)	15 MAX
BRIDGE RESISTANCE	700 Ω nom.
NONLINEARITY	±0.5% of R.O.
HYSTERESIS	±0.5% of R.O.
NONREPEATABILITY	±0.1% of R.O.
TEMP. SHIFT ZERO	±0.005% of R.O./°F [0.01% of R.O./°C]
TEMP. SHIFT SPAN	±0.02% of LOAD/°F [0.036% of LOAD/°C]
COMPENSATED TEMP.	60 to 160°F [15 to 72°C]
OPERATING TEMP.	-45 to 200°F [-42 to 93°C]
WEIGHT	2oz. [57g] (1.2oz [33g]- 25 lb Capacity)
MATERIAL (FLEXURE)	17-4PH S.S. (Aluminum- 25 lb Capacity)
DEFLECTION	0.001 to 0.002 [0.03 to 0.05] nom.
CABLE: #28 AWG, 4 Conductor, Spiral Shielded PVC Cable 10 ft [3 m] Long	
ACCESSORIES AND RELATED INSTRUMENTS AVAILABLE	
CALIBRATION (STD)	5 pt TENSION; 100 K Ω SHUNT CAL. VALUE
CALIBRATION (AVAILABLE)	COMPRESSION
CALIBRATION TEST EXCITATION	10 VDC

STOCK #'S IN THE TABLE HAS REPLACED: 25lb-FSH00665, 50lb-FSH00666, 100lb-FSH00667, 250lb-FSH00668, 500lb-FSH00669, 1Klb-FSH00670



This drawing is submitted solely for the information and exclusive use of the original addressee. It is not to be divulged in whole or in part, by any firm or individual without written permission from FUTEK

10 THOMAS  
IRVINE, CA 92618 USA  
1-800-23-FUTEK (38835)

INTERNET:  
<http://www.futek.com>