

# FUTEK MODEL TFF500 ITEM# SEE CHART

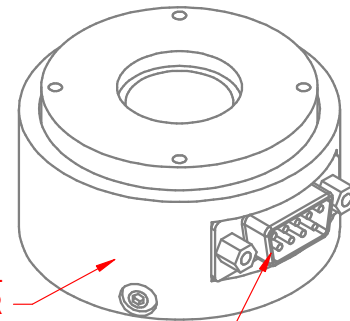
# THRU HOLE REACTION TORQUE SENSOR w/ TEDS

Drawing Number: F11265-A

INCH [mm] R.O.= Rated Output

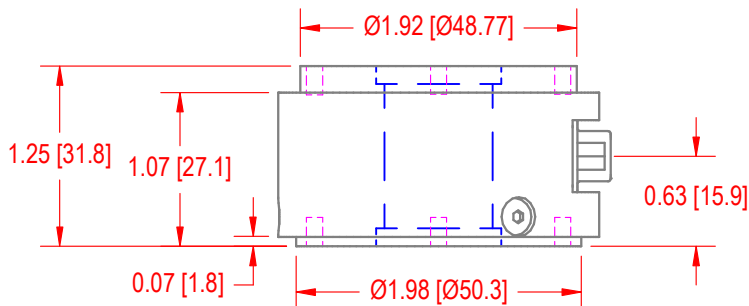
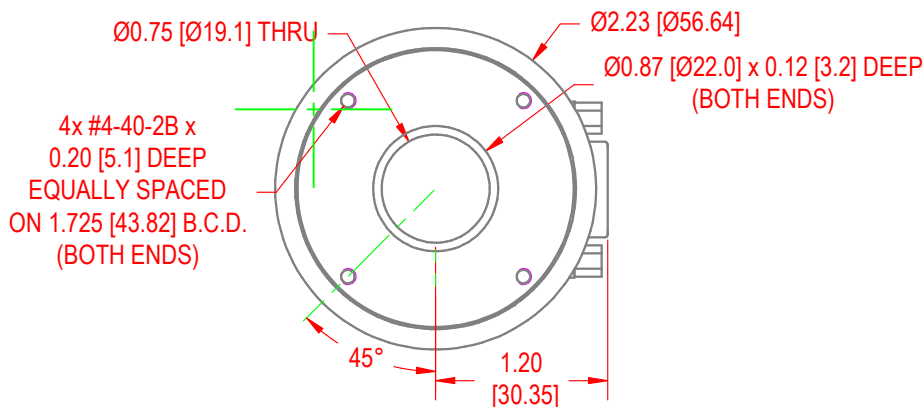
VDC CONNECTOR CODE (Cable Pkg Wiring Code)			
TEDS DATA	GND (TEDS)	GND (POWER)	RTN (10 VDC)
5 (Orange)	9 (Blue)	7 (Black)	6 (White)
SIGNAL (10 VDC)		POWER (12-24 VDC)	
1 (Green)	2 (Red)		

mV/V CONNECTOR CODE (Cable Pkg Wiring Code)			
TEDS DATA	GND (TEDS)	-Excitation	-Signal
5 (Orange)	9 (Blue)	7 (Black)	6 (White)
+Signal		+Excitation	
1 (Green)	2 (Red)		



INTERNAL AMPLIFIER

DB9 MALE\*



## SPECIFICATIONS:

RATED OUTPUT	See Chart
CAPACITY	100 in-lb
SAFE OVERLOAD	150% of R.O.
ZERO BALANCE	±1% of R.O.
EXCITATION	See Chart
NONLINEARITY	±0.5% of R.O.
HYSTERESIS	±0.5% of R.O.
NONREPEATABILITY	±0.1% of R.O.
TEMP. SHIFT ZERO	±0.02% of R.O./°F (0.04% of R.O./°C)
TEMP. SHIFT SPAN	±0.02% of LOAD/°F (0.04% of LOAD/°C)
COMPENSATED TEMP.	60 to 160°F [15 to 71 °C]
OPERATING TEMP.	0 to 160°F [-17 to 71 °C]
WEIGHT	Approx 0.35 lb
MATERIAL(COVER)	Aluminum, Red Anodize After S/N:123456
CONNECTOR:	DB9 MALE
ACCESSORIES AND RELATED INSTRUMENTS AVAILABLE	
CALIBRATION (STD)	5 pt. CW; (CCW optional)
CALIBRATION TEST EXCITATION	10VDC (15 VDC Amplified version)
Red Anodized Covers After S/N:12345	

ITEM#	OUTPUT (nom)	EXCITATION (VDC)
FSH02650	±10 VDC	12-24
FSH03327	±1 mV/V	1-18