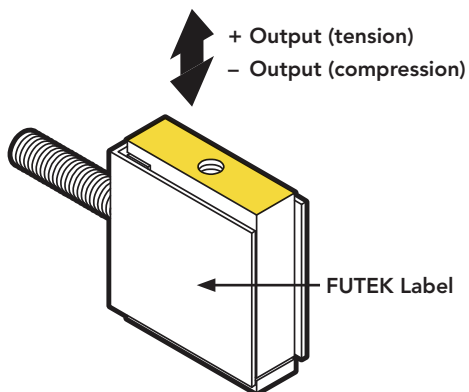




FEATURES

- Up to 10 times the overload protection
- Overload is available in Tension and Compression
- Light weight
- Notable nonlinearity
- Loads up to 100 lb (445 N)
- Miniature size

Active end



SPECIFICATIONS

PERFORMANCE

Nonlinearity	±0.1% of RO
Hysteresis	±0.1% of RO
Nonrepeatability	±0.05% of RO

ELECTRICAL

Rated Output (RO)	See chart on third page
Excitation (VDC or VAC)	10 max
Bridge Resistance	See chart on third page
Insulation Resistance	≥500 MOhm @ 50 VDC
Connection	#29 AWG, 4 conductor, spiral shielded silicone cable, 5 ft [1.5 m] long

Wiring/Connector Code WC1

MECHANICAL

Weight (approximate)	0.3 oz [9 g]
Safe Overload	1000% of RO 200% tension only (50–100 lb)
Material	Aluminum (10 g–10 lb), stainless-steel (25–100 lb)
IP Rating	IP40

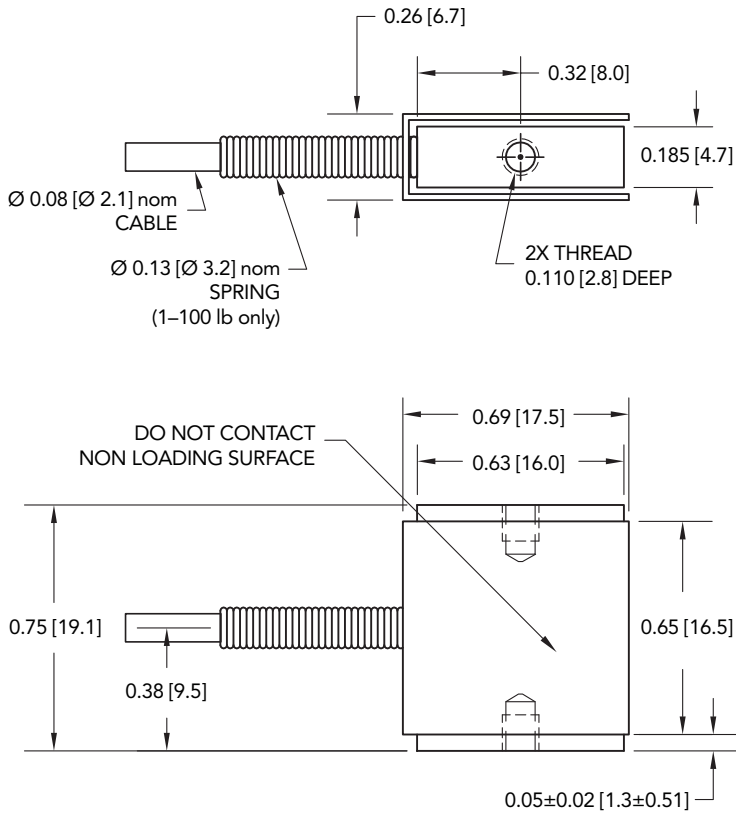
TEMPERATURE

Operating Temperature	-60 to 200°F [-50 to 93°C]
Compensated Temperature	60 to 160°F [15 to 72°C]
Temperature Shift Zero	±0.01% of RO/°F [0.018% of RO/°C]
Temperature Shift Span	±0.02% of Load/°F [0.036% of Load/°C]

CALIBRATION

Calibration Test Excitation	5 VDC
Calibration (standard)	5-pt Tension
Calibration (available)	Compression

DIMENSIONS inches [mm]



WIRING CODE (WC1)

RED	+ EXCITATION
BLACK	- EXCITATION
GREEN	+ SIGNAL
WHITE	- SIGNAL
SHIELD	FLOATING

CAPACITIES								
ITEM #	lb	N	Thread	RO (nom)	Bridge Resistance	Shunt Calibration Value	Deflection (in.)	Natural Frequency (Hz)
FSH02534	10g	0.1	#4-40	0.5 mV/V	1000 Ohm nom	301 kOhm	0.004	140
FSH02666	20g	0.2	#4-40	1 mV/V			0.008	140
FSH02535	50g	0.5	#4-40	2 mV/V		150 kOhm	0.010	200
FSH02536	100g	1.0	#4-40				0.008	300
FSH02602	250g	2.5	#4-40				0.007	530
FSH00091	1	4.5	#4-40	2 mV/V	350 Ohm nom	60.4 kOhm	0.004	930
FSH01559		8.9	#4-40				0.004	1340
FSH00092	2	22.2	#4-40				0.005	1900
FSH00093	5	44.5	#4-40				0.004	3000
FSH00095	10	111	#4-40				0.004	2770
FSH01888	25	222	#4-40				0.004	3600
FSH00096	50	445	#4-40				0.004	4600
FSH02424	100		#4-40				0.005	

Drawing Number: F11395-A

FUTEK reserves the right to modify its design and specifications without notice.
 Please visit www.futek.com/salesterms for complete terms and conditions.

10 Thomas, Irvine, CA 92618 USA

Tel: (949) 465-0900

Fax: (949) 465-0905

www.futek.com



U.S. Manufacturer