

FUTEK MODEL LCF300

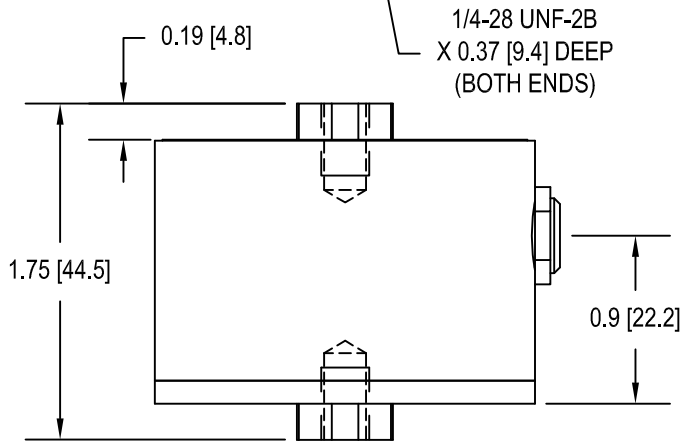
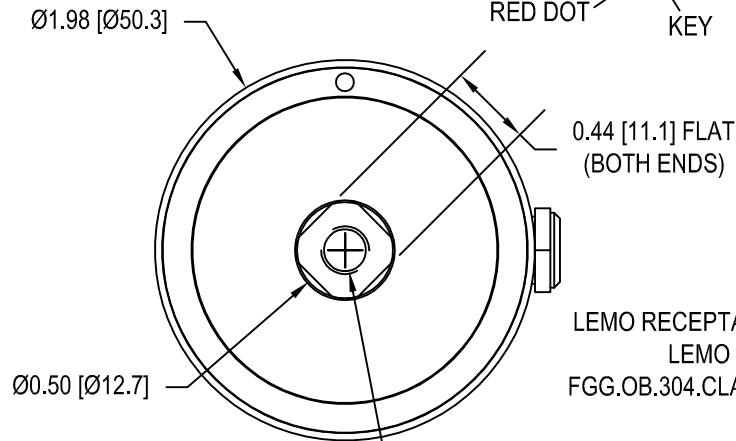
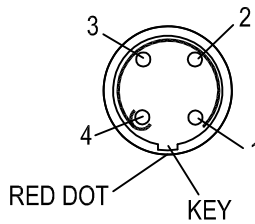
UNIVERSAL LOAD CELL

Drawing Number: FI1067-F

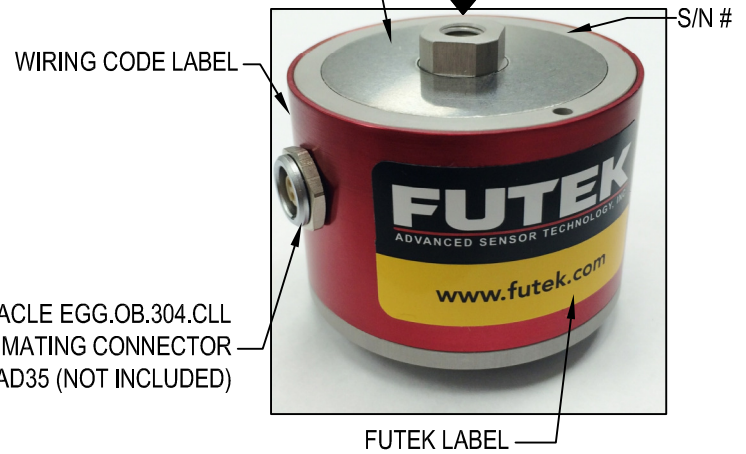
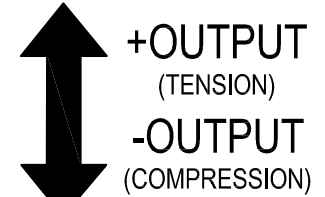
INCH [mm] | R.O.= Rated Output

CONNECTOR CODE (CC4)

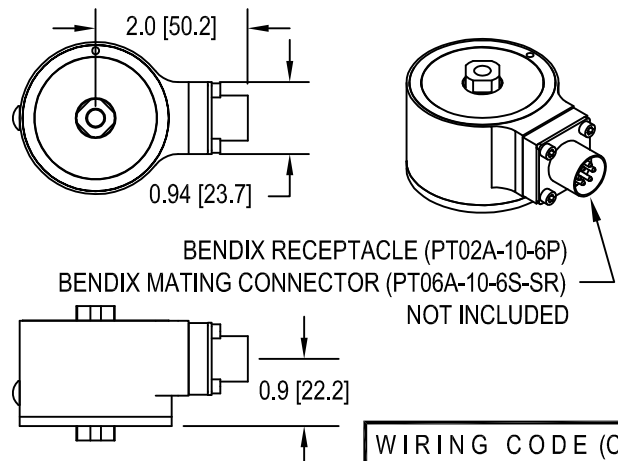
+Excitation	-Excitation	+Signal	-Signal
1 Red	4 Black	2 Green	3 White



NON LOADING SURFACE
DO NOT CONTACT



BENDIX VERSION (OPTIONAL)



* TENSION RESULTS ACHIEVE BETTER THAN 0.15% IN NONLINEARITY AND HYSTERESIS.

SPECIFICATIONS:

RATED OUTPUT	1 mV/V nom. (10 - 50 lb), 2 mV/V nom. (100 - 500 lb)
SAFE OVERLOAD	150% of R.O.
ZERO BALANCE	±1% of R.O.
EXCITATION (VDC OR VAC)	20 MAX
BRIDGE RESISTANCE	700 Ω nom.
NONLINEARITY	±0.25% of R.O. *
HYSTERESIS	±0.25% of R.O. *
NONREPEATABILITY	±0.05% of R.O.
TEMP. SHIFT ZERO	±0.01% of R.O./°F [0.018% of R.O./°C]
TEMP. SHIFT SPAN	±0.01% of LOAD/°F [0.018% of LOAD/°C]
COMPENSATED TEMP.	60 to 160°F [15 to 72°C]
OPERATING TEMP.	-60 to 200°F [-50 to 93°C]
WEIGHT	5 oz [142 g] (2024 ALUMINUM), 10 oz [284 g] (17-4PH S.S.)
CONNECTOR:	LEMO Receptacle (EGG.OB.304.CLL)
ACCESSORIES AND RELATED INSTRUMENTS AVAILABLE	
CALIBRATION (STD)	5 pt TENSION; 100K Ω SHUNT CAL. VALUE (200K Ω or 10 - 50 lb)
CALIBRATION (AVAILABLE)	COMPRESSION
CALIBRATION TEST EXCITATION	10 VDC
MATERIAL (Cover)	ALUMINUM, RED ANODIZE AFTER S/N:397409

ITEM #	CAPACITIES		MATERIAL
	lb	N	
FSH00247	10	45	2024 ALUMINUM
FSH00250	25	111	
FSH00251	50	222	
FSH00252	100	445	17-4PH S.S.
FSH00257	250	1112	
FSH00258	500	2224	



This drawing is submitted solely for the information and exclusive use of the original addressee. It is not to be divulged in whole or in part, by any firm or individual without written permission from FUTEK

10 THOMAS
IRVINE, CA 92618 USA
+1 (949)-465-0900

INTERNET:
<http://www.futek.com>