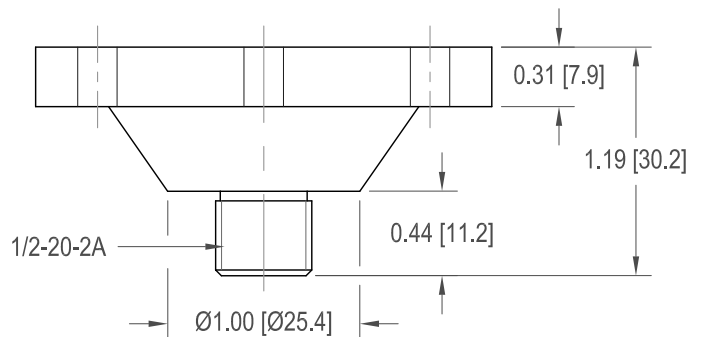
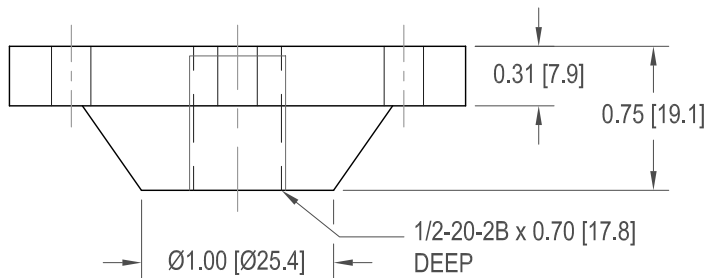
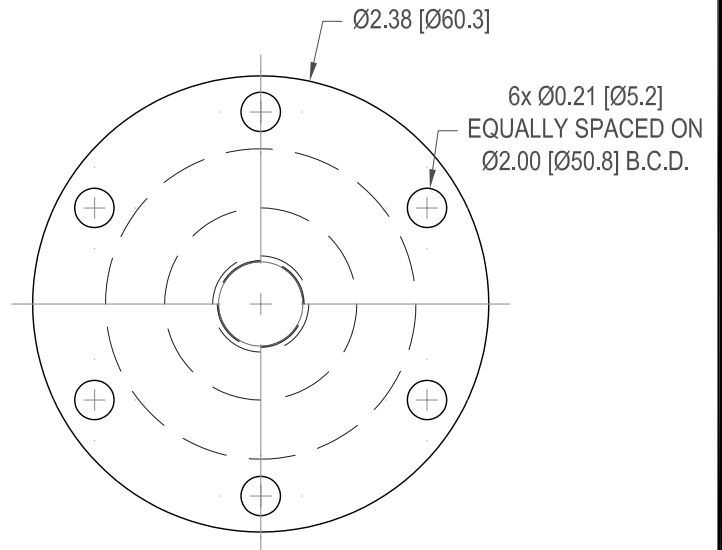
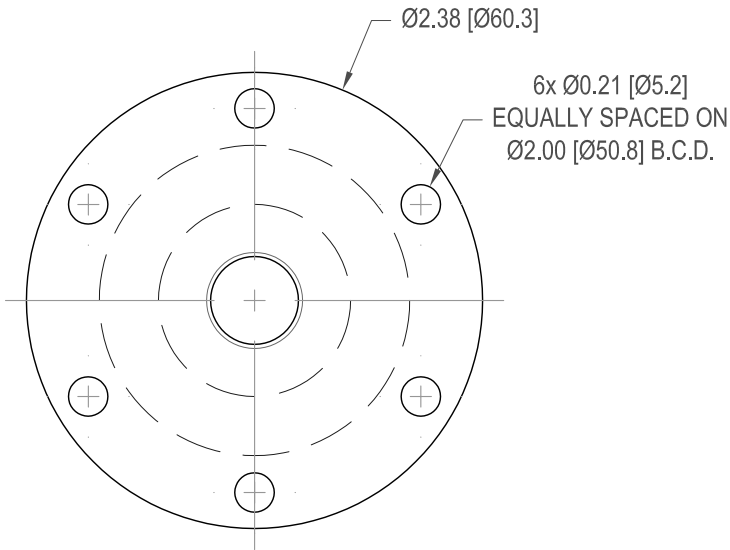


FUTEK MODEL LCB500

Tension Base with Mounting Hardware

Drawing Number: FI1283

INCH [mm] | MATERIAL: 17-4PH S.S.



STOCK NO:	TENSION BASE FEMALE	6x SHC SCREWS #10-32 x 5/8L
FSH02912	X	X
MCP01201	X	
GOD00072		X

STOCK NO:	TENSION BASE MALE	6x SHC SCREWS #10-32 x 5/8L
FSH02913	X	X
MCP01227	X	
GOD00072		X