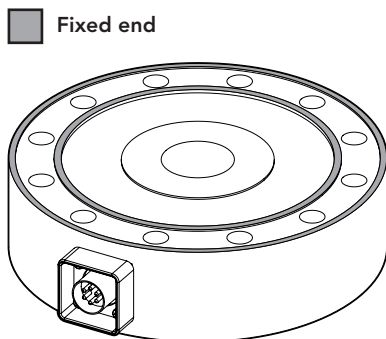
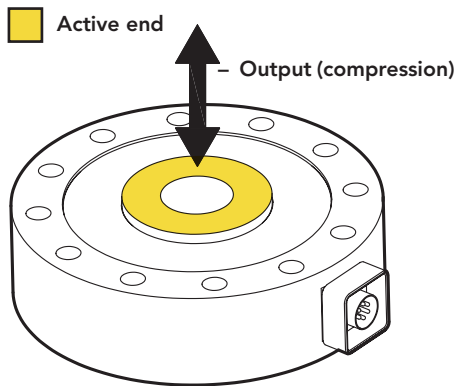




**FEATURES**

- Low profile design
- For use in compression
- Fatigue rated
- Highly resistant to off-axis loading



**SPECIFICATIONS**

**PERFORMANCE**

Nonlinearity	±0.1% of RO
Hysteresis	±0.2% of RO
Nonrepeatability	±0.02% of RO

**ELECTRICAL**

Rated Output (RO)	2 mV/V nom
Excitation (VDC or VAC)	20 max
Bridge Resistance	350 Ohm nom
Insulation Resistance	≥500 MOhm @ 50 VDC
Connection	6 Pin BENDIX Receptacle (PT02E-10-6P)
Connector Code	CC1 Standard/CC1T

**MECHANICAL**

Weight (approximate)	9 lb [4.1 kg]
Safe Overload	300% of RO
Material	17-4 PH stainless-steel
IP Rating	IP65

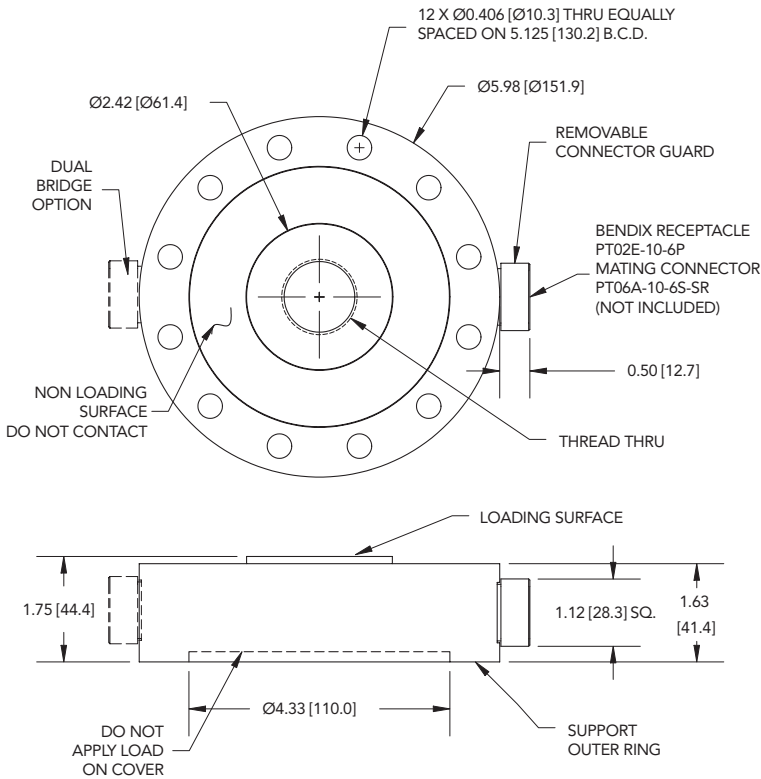
**TEMPERATURE**

Operating Temperature	-60 to 200°F [-50 to 93°C]
Compensated Temperature	60 to 160°F [15 to 72°C]
Temperature Shift Zero	±0.001% of RO/°F [0.0018% of RO/°C]
Temperature Shift Span	±0.002% of Load/°F [0.0036% of Load/°C]

**CALIBRATION**

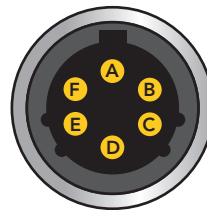
Calibration Test Excitation	10 VDC
Calibration (standard)	5-pt compression
Shunt Calibration Value	60.4 kOhm

**DIMENSIONS** inches [mm]



**BENDIX 6-PIN (CC1/CC1T)**

PIN	COLOR	DESCRIPTION	TEDS DESCRIPTION
A	Red	+ Excitation	+ Excitation
B	Black	- Excitation	- Excitation
C	Green	+ Signal	+ Signal
D	White	- Signal	- Signal
E	Orange	+ Sense	TEDS Data
F	Blue	- Sense	TEDS GND



Sensor Receptacle View

Drawing Number: F11178-C

FUTEK reserves the right to modify its design and specifications without notice. Please visit [www.futek.com/salesterms](http://www.futek.com/salesterms) for complete terms and conditions.

10 Thomas, Irvine, CA 92618 USA

Tel: (949) 465-0900

Fax: (949) 465-0905

[www.futek.com](http://www.futek.com)

**CAPACITIES**

ITEM #	lb	N	Thread	Deflection (in)	Natural Frequency (Hz)
FSH02976	12500	55600	1 1/4-12	0.001	7100
FSH02978			M33 X 2		
FSH02975	25000	111200	1 1/4-12	0.0015	8200
FSH02977			M33 X 2		



U.S. Manufacturer