

FUTEK MODEL LPM200

PANEL MOUNT LOAD CELL

Drawing Number: FI1313-B

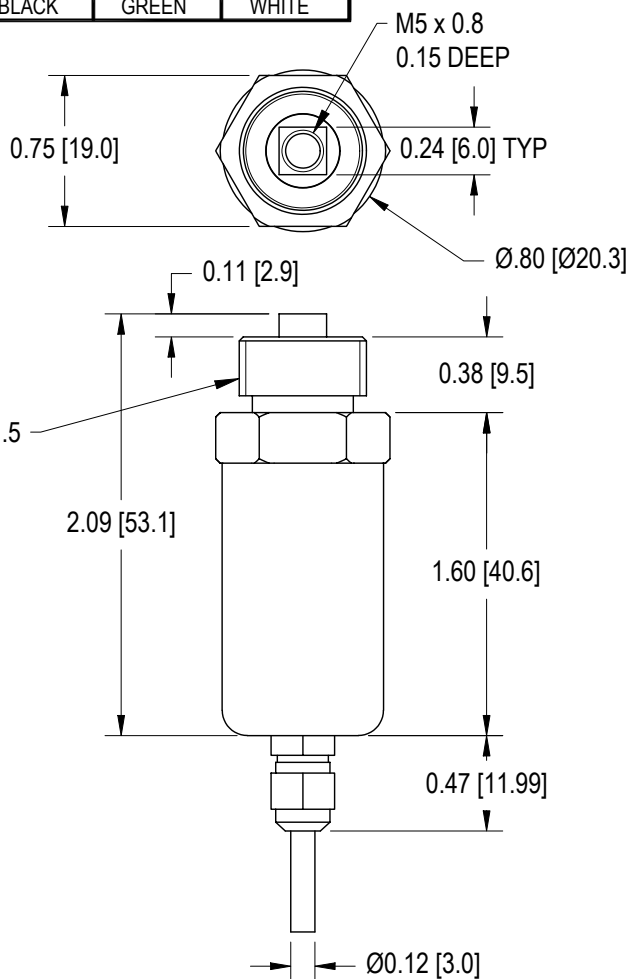
INCH [mm] | R.O. = Rated Output

WIRING CODE WC1

+Excitation	-Excitation	+Signal	-Signal
-------------	-------------	---------	---------

RED	BLACK	GREEN	WHITE
-----	-------	-------	-------

Shield
FLOATING



SPECIFICATIONS:

RATED OUTPUT	SEE CHART
SAFE OVERLOAD	1000% of R.O.
ZERO BALANCE *	±3% of R.O.
EXCITATION (VDC OR VAC)	10 Max
BRIDGE RESISTANCE	SEE CHART
NONLINEARITY	±0.1% of R.O.
HYSTERESIS	±0.1% of R.O.
NONREPEATABILITY	±0.05% of R.O.
TEMP. SHIFT ZERO	±0.01% of R.O./°F [0.018% of R.O./°C]
TEMP. SHIFT SPAN	±0.02% of LOAD/°F [0.036% of LOAD/°C]
COMPENSATED TEMP.	60 to 160°F [15 to 72°C]
OPERATING TEMP.	-60 to 200°F [-50 to 93°C]
MATERIAL	ALUMINUM
WEIGHT	1.5 oz [43 g]
DEFLECTION	0.003-0.005 [0.07-0.13]
CABLE: #28 Awg 4 COND. BRAIDED SHIELDED CLEAR PVC CABLE 10ft [3m]. LONG	
ACCESSORIES AND RELATED INSTRUMENTS AVAILABLE	
CALIBRATION (STD)	5 pt COMPRESSION
CALIBRATION (AVAILABLE)	TENSION
CALIBRATION TEST EXCITATION	5 VDC

* ZERO BALANCE IS BASED ON LAYING SENSOR ON ITS SIDE (THREADS HORIZONTAL)

Item #	Capacity lb (N)	R.O. (nom.)	BRIDGE RESISTANCE	SHUNT CAL. VALUE
FSH03395	10g (0.1)	0.5 mV/V	1000 Ω nom.	301K Ω
FSH03396	20g (0.2)	1 mV/V		
FSH03397	50g (0.5)	2 mV/V	350 Ω nom.	60.4K Ω
FSH03398	100g (1.0)			
FSH03399	250g (2.5)			
FSH03400	1 (4.5)			
FSH03401	2 (8.9)			
FSH03402	5 (22.2)			

Suggested Mounting Application

