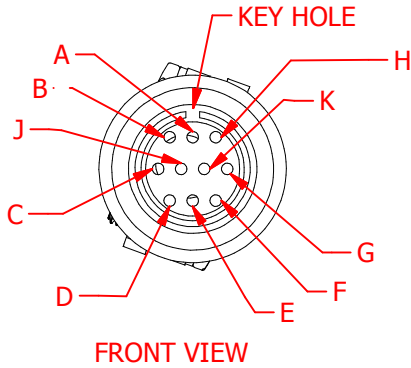


# FUTEK MODEL QLA335 10 Pin Bendix to Cable Assembly

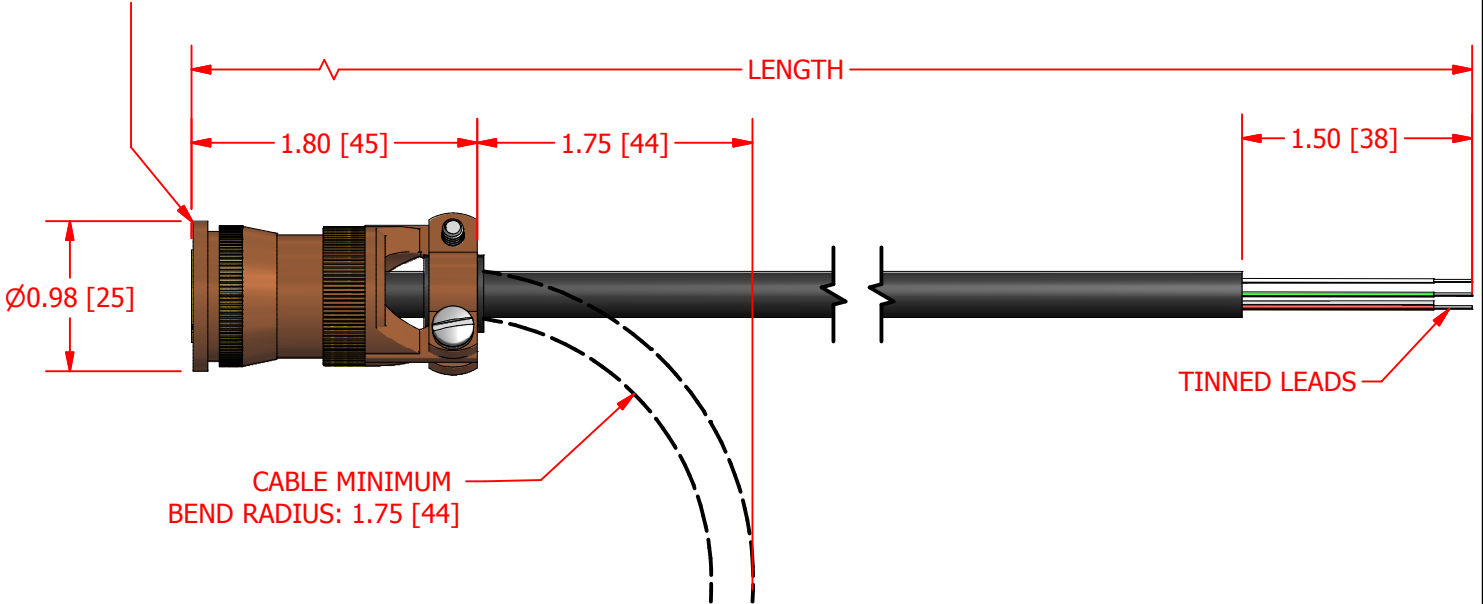
DRAWING NUMBER: FI1349

INCH [mm] | R.O.= Rated Output



WIRING SCHEMATIC	
PIN OUT	WIRING CODE
A	WHITE (-SIGNAL)
B	BLACK (- EXCITATION)
C	VIOLET (TEDS DATA)
D	RED (+EXCITATION)
E	GREEN (+SIGNAL)
F	YELLOW (-SIGNAL)
G	BROWN (TEDS)
H	ORANGE (+EXCITATION)
J	GRAY (+SIGNAL)
K	BLUE (-EXCITATION)
	SHIELD (FLOATING)

10 PIN BENDIX  
PC06E-12-10S(SR)



ITEM #	LENGTH	CABLE	SPECIFICATIONS	
			TEMP.	IP RATING
FSH03749	15 ft	30 AWG, 10 CONDUCTOR BRAIDED SHIELDED POLYURETHANE DIAMETER: 0.175 [4]	-40° to 180° F [-40° to 82° C]	IP50
FSH03750	30 ft			
FSH03751	100 ft			