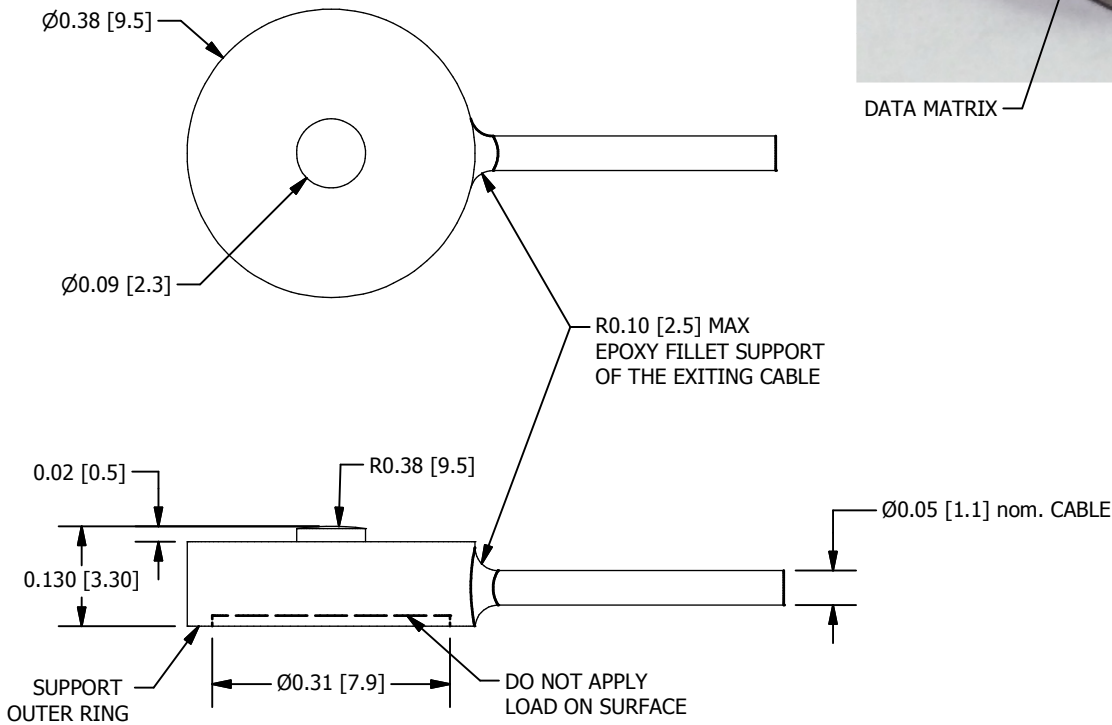
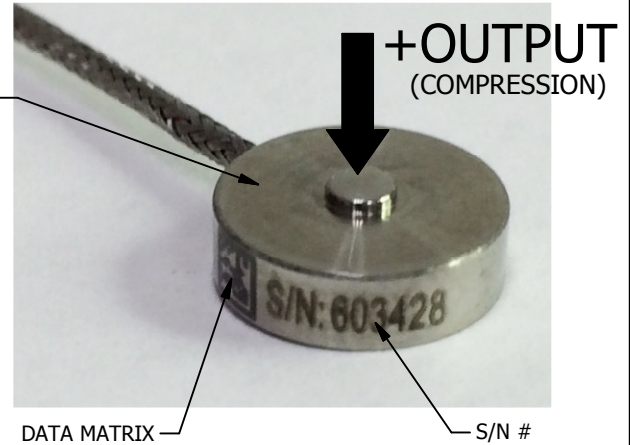


FUTEK MODEL LLB130

SUBMINIATURE LOAD BUTTON LOAD CELL

DRAWING NUMBER: FI1284-B			
INCH [mm]		R.O. = Rated Output	
WIRING CODE			
+ Excitation	- Excitation	+ Signal	- Signal
RED	BLACK	GREEN	WHITE
Shield			
GROUNDED			



SPECIFICATIONS:

RATED OUTPUT	2 mV/V, 1 mV/V (5 lb) nom.
SAFE OVERLOAD	150% of R.O.
ZERO BALANCE	±3% of R.O., ±6% of R.O. (5 lb)
EXCITATION (VDC OR VAC)	7 MAX
BRIDGE RESISTANCE	350 Ω nom
NONLINEARITY	±0.5% of R.O.
HYSTERESIS	±0.5% of R.O.
NONREPEATABILITY	±0.1% of R.O.
TEMP. SHIFT ZERO	±0.02% of R.O./°F (±0.036 of R.O./°C)
TEMP. SHIFT SPAN	±0.02% of LOAD/°F (±0.036 of LOAD/°C)
COMPENSATED TEMP.	60 to 160 °F (15 to 71 °C)
OPERATING TEMP	-60 to 200 °F (-51 to 93 °C)
WEIGHT (approx)	0.3 oz
MATERIAL	17-4 PH S.S
IP RATING	IP61
CABLE: #34 AWG, 4 Conductor Teflon, S.S. Braided Shielded Cable 5 ft [1.5 m] Long	
ACCESSORIES AND RELATED INSTRUMENTS AVAILABLE	
CALIBRATION (STD)	5pt. COMPRESSION; 60.4 KΩ, 100 KΩ (5 lb) SHUNT CAL. VALUE
CALIBRATION TEST EXCITATION	5 VDC

ITEM #	CAPACITIES	
	lb	N
FSH03818	5	22.2
FSH02943	10	44.5
FSH02949	25	111
FSH02950	50	222



This drawing is submitted solely for the information and exclusive use of the original addressee. It is not to be divulged in whole or in part, by any firm or individual without written permission from FUTEK

10 THOMAS
IRVINE, CA 92618 USA
+1-949-465-0900

INTERNET:
<http://www.futek.com>
SHEET 1 OF 1