



## FEATURES

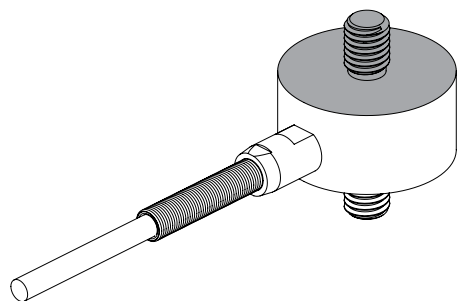
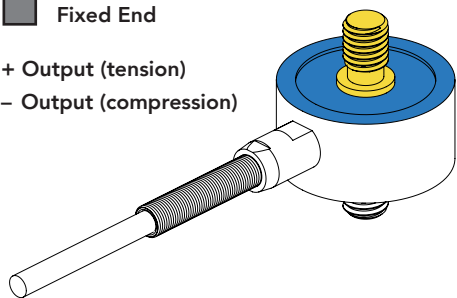
- Minimal mounting clearance
- 17-4 PH stainless-steel construction
- For use in both tension and compression
- Utilizes metal foil strain gauge technology
- Adheres to RoHS Directive 2015/863/EU
- Accessories and related instruments available

 Non-loading surface, do not contact

 Active End

 Fixed End

+ Output (tension)  
- Output (compression)



## SPECIFICATIONS

### PERFORMANCE

Nonlinearity  $\pm 0.25\%$  of RO

Hysteresis  $\pm 0.25\%$  of RO

Nonrepeatability  $\pm 0.1\%$  of RO

### ELECTRICAL

Rated Output (RO) 2 mV/V nom

Excitation (VDC or VAC) 15 max

Bridge Resistance 740 Ohm nom

Insulation Resistance  $\geq 500$  MOhm @ 50 VDC

Connection #28 AWG, 4 conductor braided-shielded PVC cable 10 ft (3 m) long

Wiring/Connector Code WC1

### MECHANICAL

Weight (minus cable) 1.5 oz [42.5 g]

Safe Overload 150% of RO

Deflection 0.001 in [0.03 mm] nom

Material (flexure) 17-4 PH stainless-steel

IP Rating IP64

### TEMPERATURE

Operating Temperature  $-45$  to  $200^{\circ}\text{F}$  ( $-42$  to  $93^{\circ}\text{C}$ )

Compensated Temperature 60 to  $160^{\circ}\text{F}$  (15 to  $72^{\circ}\text{C}$ )

Temperature Shift Zero  $\pm 0.005\%$  of RO/ $^{\circ}\text{F}$  ( $\pm 0.01$  of RO/ $^{\circ}\text{C}$ )

Temperature Shift Span  $\pm 0.02\%$  of load/ $^{\circ}\text{F}$  ( $\pm 0.036$  of load/ $^{\circ}\text{C}$ )

### CALIBRATION

Calibration Test Excitation 10 VDC

Calibration (standard) 5-pt Tension

Calibration (available) Compression

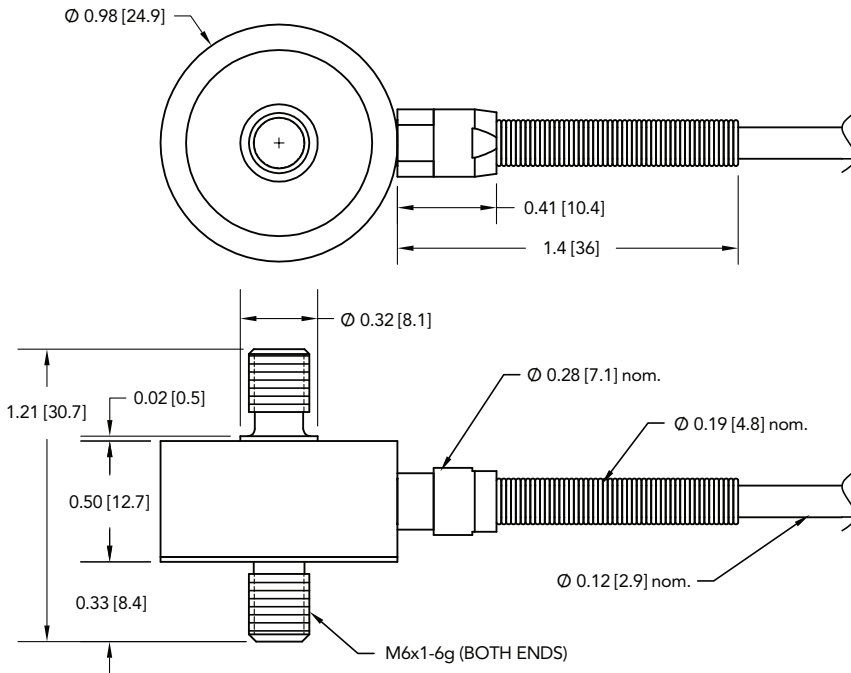
Shunt Calibration Value 100 kOhm

### CONFORMITY

RoHS EU 2015/863

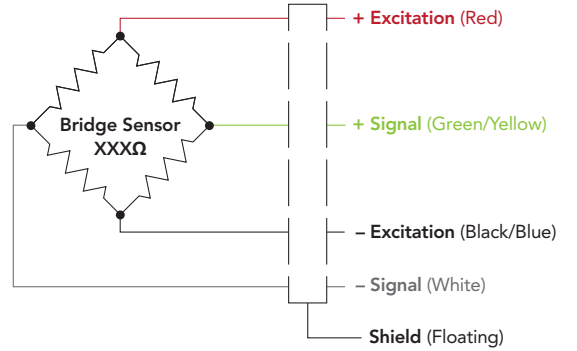
CE EN55011; EN61326-1

**DIMENSIONS** inches [mm]



**WIRING CODE (WC1 WITH SHIELD)**

|        |              |
|--------|--------------|
| RED    | + EXCITATION |
| BLACK  | - EXCITATION |
| GREEN  | + SIGNAL     |
| WHITE  | - SIGNAL     |
| SHIELD | FLOATING     |



**CAPACITIES**

| ITEM #   | lb   | N    | Natural Frequency (kHz) |
|----------|------|------|-------------------------|
| FSH03884 | 50   | 223  | 7.5                     |
| FSH03885 | 100  | 445  | 10.2                    |
| FSH03886 | 250  | 1112 | 16.2                    |
| FSH03887 | 500  | 2224 | 22.9                    |
| FSH03888 | 1000 | 4448 | 30.1                    |



Drawing Number: FI1059-G

FUTEK reserves the right to modify its design and specifications without notice. Please visit <http://www.futek.com/salesterms> for complete terms and conditions.

10 Thomas, Irvine, CA 92618 USA

Tel: (949) 465-0900

Fax: (949) 465-0905

[www.futek.com](http://www.futek.com)



RoHS



U.S. Manufacturer