



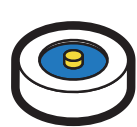
## FEATURES

- Ultra low deflection
- Robust strain relief
- 17-4 PH stainless-steel construction
- For use in compression
- Utilizes metal foil strain gauge technology

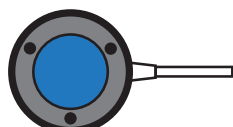
 Non-loading surface, do not contact

 Active End

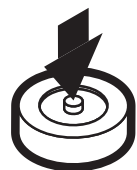
 Fixed End



Top view



Bottom view



+ Output (compression)

## SPECIFICATIONS

### PERFORMANCE

Nonlinearity  $\pm 0.25\%$  of RO (5000 lb)  
 $\pm 0.5\%$  of RO (10000 lb)

Hysteresis  $\pm 0.25\%$  of RO (5000 lb)  
 $\pm 0.5\%$  of RO (10000 lb)

Nonrepeatability  $\pm 0.1\%$  of RO

### ELECTRICAL

Rated Output (RO) 2 mV/V nom

Excitation (VDC or VAC) 18 max

Bridge Resistance 700 Ohm nom

Insulation Resistance  $\geq 500$  MOhm @ 50 VDC

Connection #24 AWG, 4 conductor, braided shielded Teflon cable 10 ft [3 m] long

Wiring/Connector Code WC1

### MECHANICAL

Weight (approximate) 4 oz [113.4 g]

Safe Overload 150% of RO

Deflection See chart on next page

Material 17-4 PH stainless-steel

IP Rating IP64

### TEMPERATURE

Operating Temperature  $-60$  to  $200^{\circ}\text{F}$  [ $-50$  to  $93^{\circ}\text{C}$ ]

Compensated Temperature  $60$  to  $160^{\circ}\text{F}$  [ $15$  to  $72^{\circ}\text{C}$ ]

Temperature Shift Zero  $\pm 0.01\%$  of RO/ $^{\circ}\text{F}$  [ $0.018\%$  of RO/ $^{\circ}\text{C}$ ]

Temperature Shift Span  $\pm 0.02\%$  of LOAD/ $^{\circ}\text{F}$  [ $0.036\%$  of LOAD/ $^{\circ}\text{C}$ ]

### CALIBRATION

Calibration Test Excitation 10 VDC

Calibration (standard) 5-pt Compression

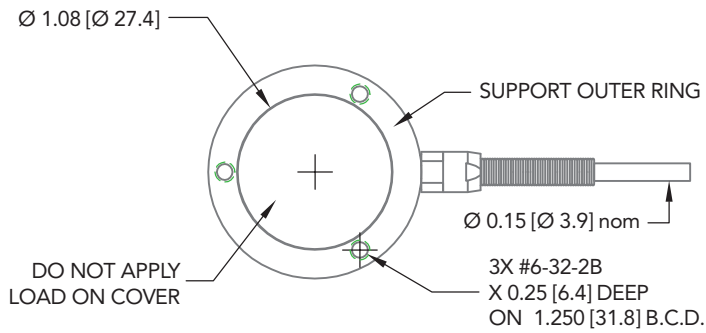
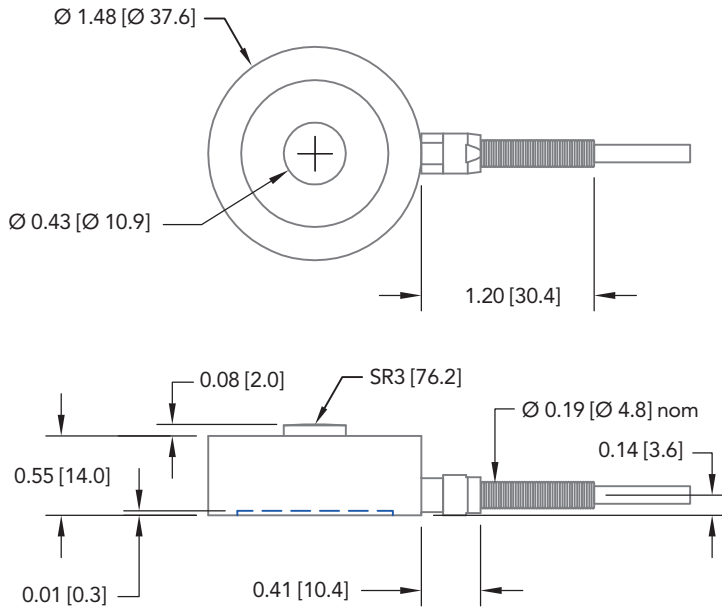
Shunt Calibration Value 100 kOhm

### CONFORMITY

RoHS EU 2015/863

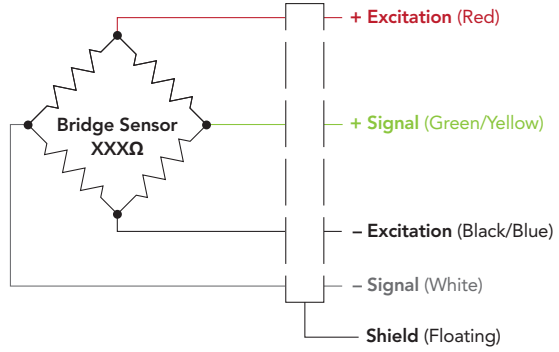
CE EN55011; EN61326-1

**DIMENSIONS** inches [mm]



**WIRING CODE** (WC1 WITH SHIELD)

RED	+ EXCITATION
BLACK	- EXCITATION
GREEN	+ SIGNAL
WHITE	- SIGNAL
SHIELD	FLOATING



**CAPACITIES**

ITEM #	lb	N	FZ Deflection (in)	Natural Frequency (kHz)
FSH03997	5000	22240	0.0015	25
FSH03998	10000	44480	0.0018	27.8

Drawing Number: FI1413-C

FUTEK reserves the right to modify its design and specifications without notice. Please visit [www.futek.com/salesterms](http://www.futek.com/salesterms) for complete terms and conditions.

10 Thomas, Irvine, CA 92618 USA

Tel: (949) 465-0900

Fax: (949) 465-0905

[www.futek.com](http://www.futek.com)



RoHS



U.S. Manufacturer