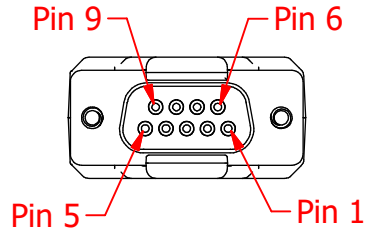
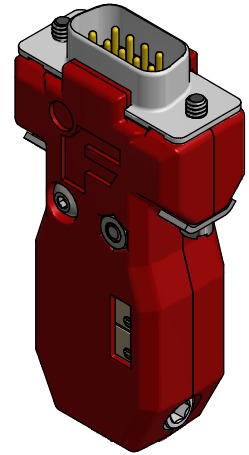


FUTEK MODEL ICA100

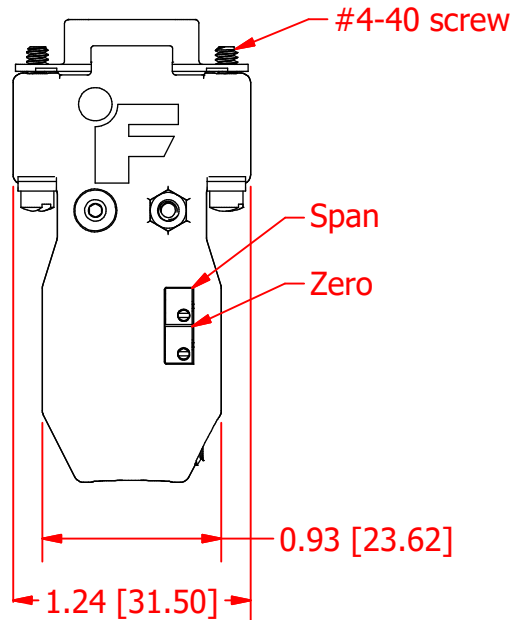
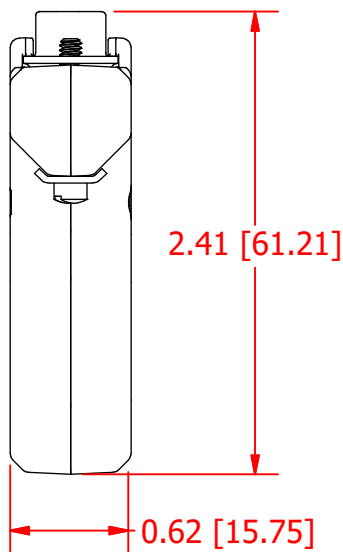
INLINE CURRENT TRANSMITTER

DRAWING NUMBER: F11419

INCH [mm] | R.O.= Rated Output



Male DB9	
Pin	Wiring Code
1	Signal Out
6	Ground
9	Power Supply



FEATURES:

- Differential Input
- 0-20 mA Unipolar Output/0-10-20 mA Bipolar Output
- 4-20 mA Unipolar Output/4-12-20 mA Bipolar Output
- Adjustable Pots for Span and Offset
- Offset DIP Switch
- Reverse Polarity Protection
- Short Circuit Protection

SPECIFICATIONS:

- Power Supply: 16-24 VDC
- Bridge Excitation: 5 VDC
- Standard Input Range: 0-5 mV/V
- Maximum Output Load: 500 Ohms

FUTEK
ADVANCED SENSOR TECHNOLOGY, INC.

This drawing is submitted solely for the information and exclusive use of the original addressee. It is not to be divulged in whole or in part, by any firm or individual without written permission from FUTEK

10 THOMAS
IRVINE, CA 92618 USA
+1 (949) 465-0900

INTERNET:
<http://www.futek.com>
SHEET 1 OF 1