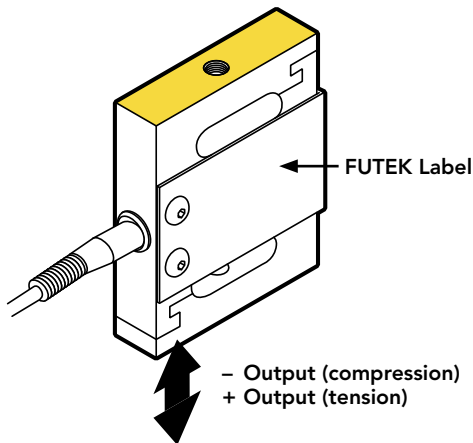




FEATURES

- Up to 10 times the overload protection
- For in line use in both tension and compression
- Notable nonlinearity
- Connector or robust cable strain relief

Mounting end



SPECIFICATIONS

PERFORMANCE

Nonlinearity	±0.05% of RO
Hysteresis	±0.05% of RO
Nonrepeatability	±0.05% of RO

ELECTRICAL

Rated Output (RO)	2 mV/V nom
Excitation (VDC or VAC)	20 max
Bridge Resistance	1000 Ohm nom
Insulation Resistance	≥500 MOhm @ 50 VDC
Connection	#28 AWG, 6 conductor, polyurethane cable, 5 ft [1.5 m] long. 4-Pin LEMO® connector receptacle standard
Connector Code	CC4

MECHANICAL

Weight (approximate)	5 oz [142 g]
Safe Overload	1000% (25–100 lb) 500% (300 lb)
Material	Anodized aluminum
IP Rating	IP64

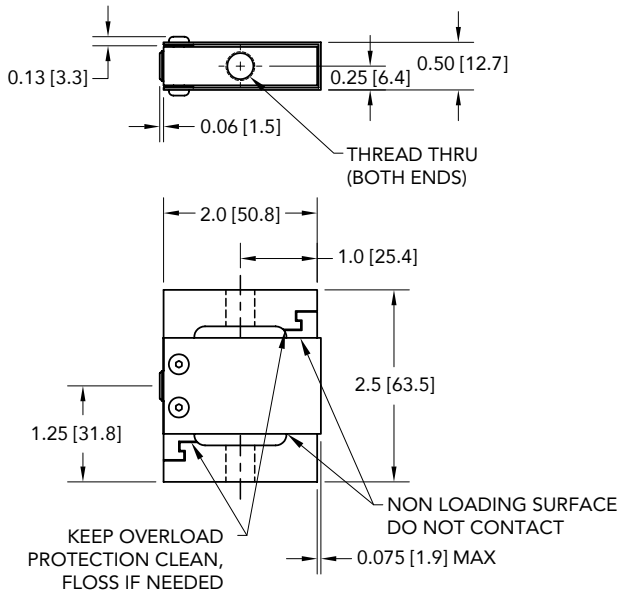
TEMPERATURE

Operating Temperature	-60 to 200°F [-50 to 93°C] (Lemo Version) -40 to 176°F [-40 to 80°C] (Cable Version)
Compensated Temperature	60 to 160°F [15 to 72°C]
Temperature Shift Zero	±0.001% of RO/°F [0.0018% of RO/°C]
Temperature Shift Span	±0.0008% of Load/°F [0.0014% of Load/°C]

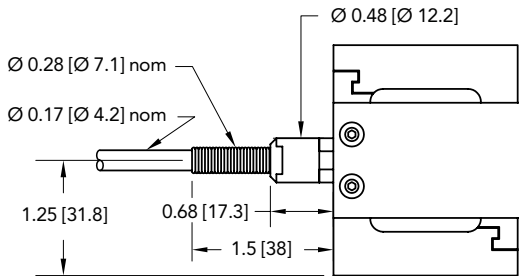
CALIBRATION

Calibration Test Excitation	10 VDC
Calibration (standard)	5-pt Tension; 150 kOhm Shunt Calibration Value
Calibration (available)	Tension and Compression
Shunt Calibration Value	150 kOhm

DIMENSIONS inches [mm]



#28 AWG, 6 CONDUCTOR POLYURETHANE CABLE (5FT) OPTION



WIRING CODE (WC4)

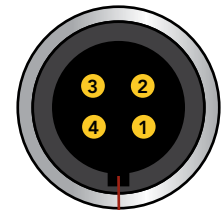
RED	+ EXCITATION
BLACK	- EXCITATION
GREEN	+ SIGNAL
WHITE	- SIGNAL
ORANGE	+ SENSE
BLUE	- SENSE
SHIELD	GROUND

CAPACITIES

ITEM #	lb	N	Thread	Natural Frequency (Hz)	Deflection (in.)	Connector	
						LEMO®	Cable
FSH04200	25	111	1/4-28	750	0.004	X	
FSH04210						X	
FSH04205						X	
FSH04215			M6 x 1				X
FSH04201	50	222	1/4-28	800	0.007	X	
FSH04211						X	
FSH04206						X	
FSH04216			M6 x 1				X
FSH04202	100	445	1/4-28	1100	0.008	X	
FSH04212						X	
FSH04207						X	
FSH04217						X	
FSH04204	300	1334	1/4-28	1600	0.01	X	
FSH04214						X	
FSH04209						X	
FSH04219			M10 x 1.5				X

LEMO 4-PIN

PIN	COLOR	DESCRIPTION
1	Red	+ Excitation
2	Green	+ Signal
3	White	- Signal
4	Black	- Excitation



Align with key

Sensor Receptacle View

Drawing Number: FI1446

FUTEK reserves the right to modify its design and specifications without notice. Please visit www.futek.com/salesterms for complete terms and conditions.

10 Thomas, Irvine, CA 92618 USA

Tel: (949) 465-0900

Fax: (949) 465-0905

www.futek.com



U.S. Manufacturer