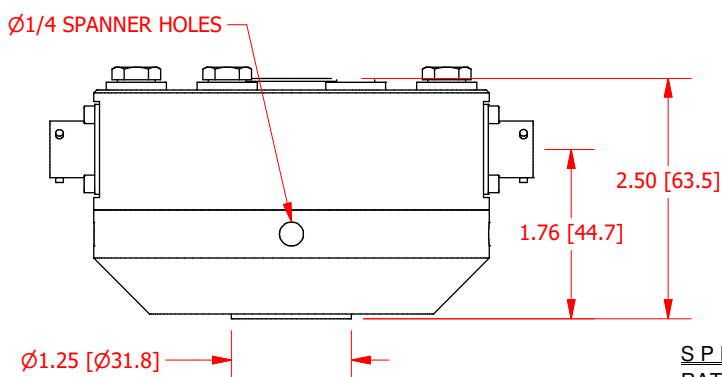
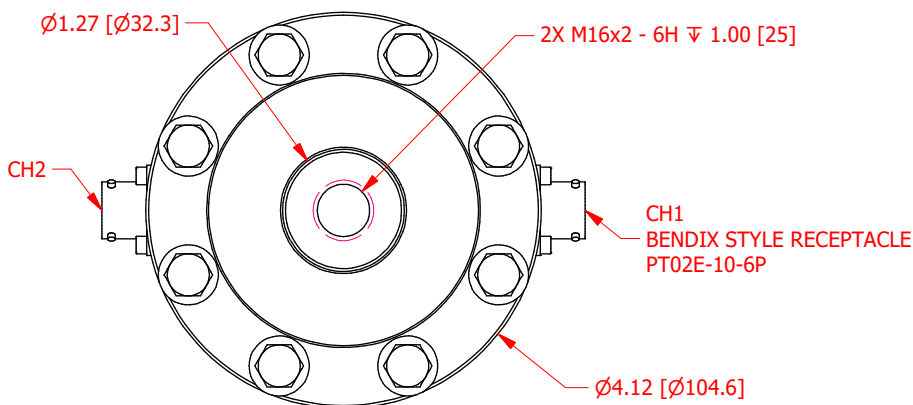
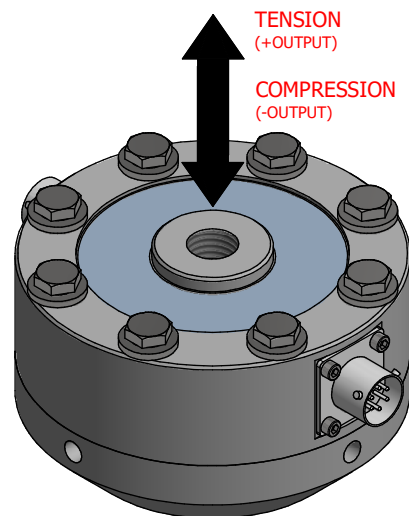


# FUTEK MODEL LCF455

## Dual Bridge, Low Profile Universal Pancake With Tension Base

ITEM NUMBER: FSH04518

INCH [mm]		R.O.= Rated Output	
<b>WIRING CODE (CC 1)</b>			
+ Excitation	- Excitation	+Signal	-Signal
RED PIN A	BLACK PIN B	GREEN PIN C	WHITE PIN D
+Sense	-Sense		
ORANGE PIN E	BLUE PIN F		



### SPECIFICATIONS:

RATED OUTPUT	1.2 mV/V nom.
CAPACITY (CH1 & 2)	3000 lb. [13320N]
SAFE OVERLOAD	150 % of R.O.
ZERO BALANCE	$\pm 4\%$ of R.O.
EXCITATION (VDC OR VAC)	20 MAX
BRIDGE RESISTANCE	700 $\Omega$ nom.
NONLINEARITY	$\pm 0.15\%$ of R.O.
HYSTERESIS	$\pm 0.25\%$ of R.O.
NONREPEATABILITY	$\pm 0.03\%$ of R.O.
TEMP. SHIFT ZERO	$\pm 0.002\%$ of R.O./ $^{\circ}$ F ( $\pm 0.004$ of R.O./ $^{\circ}$ C)
TEMP. SHIFT SPAN	$\pm 0.005\%$ of LOAD/ $^{\circ}$ F ( $\pm 0.009$ of LOAD/ $^{\circ}$ C)
COMPENSATED TEMP.	60 to 160 $^{\circ}$ F (16 to 71 $^{\circ}$ C)
OPERATING TEMP	-60 to 200 $^{\circ}$ F (-51 to 93 $^{\circ}$ C)
WEIGHT (approx)	6.9 lb [3129.2 g]
MATERIAL	17-4 PH S.S.
CONNECTOR: 2X 6 PIN PT02E-10-6P STYLE	

CUSTOMER APPROVAL- COMPANY:

CUSTOMER APPROVAL- NAME / DATE:

REVISIONS: (Refer to dwg # revision sheet)

## OUTLINE DRAWING

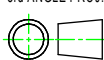
STANDARD NOTES: (Unless Otherwise Specified)

ALL DIMENSIONS ARE IN INCHES  
DRAWING INTERPRETATION DIMS. PER ASME-Y14.5  
REMOVE BURRS AND BREAK SHARP EDGES .005 - .015  
THREADS PER HANDBOOK H-28  
DIMENSIONS ARE SHOWN AFTER PLATING

ANGLE:  
 $\pm 1/2^{\circ}$

CHAMFER:  
 $\pm 5^{\circ}$

TOLERANCE:  
.X  $\pm 0.1^{\circ}$   
.XX  $\pm 0.01^{\circ}$   
.XXX  $\pm 0.005^{\circ}$



This drawing is submitted solely for the information and exclusive use of the original addressee. It is not to be divulged in whole or in part, by any firm or individual without written permission from:

**FUTEK**

ADVANCED SENSOR TECHNOLOGY, INC.  
10 THOMAS, IRVINE, CA 92618 USA  
Phone: (949) 465-0900  
Fax: (949) 465-0905

MODEL: **LCF455**

DWG No.: **FO1544**

DRAWN BY: R. WALKER

CREATED DATE: 9/4/2020

APPROVED BY: S. Michel

APPROVED DATE: 9/9/2020

CHECKED BY:

CAGE: 1X8M6 SHEET: 1 OF 1