




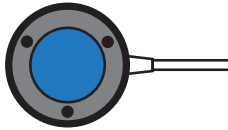
**FEATURES**

- Utilizes metal foil strain gauge technology
- 17-4 PH stainless-steel construction
- Robust strain relief
- Lower sensitivity to off-center loads than traditional load button load cells
- Ultra low deflection

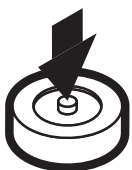
-  **Non-loading surface, do not contact**
-  **Active End**
-  **Fixed End**



Top view



Bottom view



+ Output (compression)

**SPECIFICATIONS**

**PERFORMANCE**

Nonlinearity	±0.25% of RO (5000 lb) ±0.5% of RO (10000 lb)
Hysteresis	±0.25% of RO (5000 lb) ±0.5% of RO (10000 lb)
Nonrepeatability	±0.1% of RO

**ELECTRICAL**

Rated Output (RO)	2 mV/V nom
Excitation (VDC or VAC)	18 max
Bridge Resistance	700 Ohm nom
Insulation Resistance	≥500 MOhm @ 50 VDC
Connection	#26 AWG, 4 Conductor, Braided Shielded Teflon cable 10 ft [3 m] long
Wiring/Connector Code	WC1

**MECHANICAL**

Weight (approximate)	4 oz [113.4 g]
Safe Overload	150% of RO
Deflection	See chart on next page
Material	17-4 PH stainless-steel
IP Rating	IP64

**TEMPERATURE**

Operating Temperature	-60 to 200°F [-50 to 93°C]
Compensated Temperature	60 to 160°F [15 to 72°C]
Temperature Shift Zero	±0.01% of RO/°F [0.018% of RO/°C]
Temperature Shift Span	±0.005% of LOAD/°F [0.009% of LOAD/°C]

**CALIBRATION**

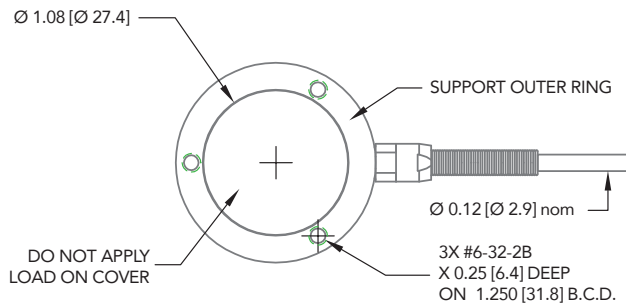
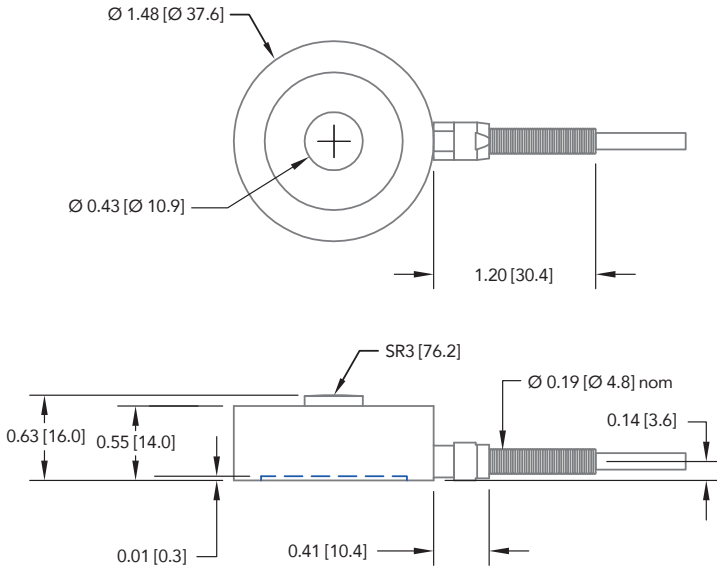
Calibration Test Excitation	10 VDC
Calibration (standard)	5-pt Compression
Shunt Calibration Value	100 kOhm

**CONFORMITY**

RoHS	EU 2015/863
CE	EN55011; EN61326-1

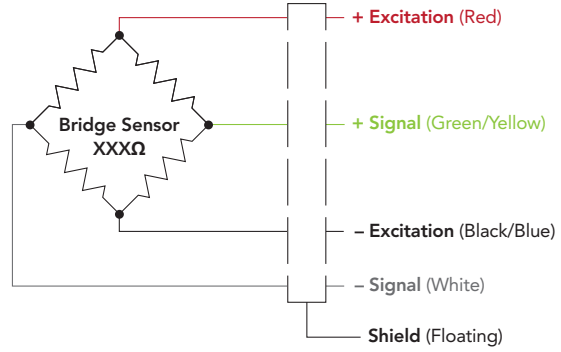
## DIMENSIONS inches [mm]

TOLERANCE:  
 .X ± 0.1" [2.5]  
 .XX ± 0.01" [0.25]  
 .XXX ± 0.005" [0.127]



## WIRING CODE (WC1 WITH SHIELD)

RED	+ EXCITATION
BLACK	- EXCITATION
GREEN	+ SIGNAL
WHITE	- SIGNAL
SHIELD	FLOATING



## CAPACITIES

ITEM #	lb	N	FZ Deflection (in)	Natural Frequency (kHz)
FSH04611	5000	22240	0.0015	25
FSH04612	10000	44480	0.0018	27.8

Drawing Number: FI1413-E

FUTEK reserves the right to modify its design and specifications without notice. Please visit [www.futek.com/salesterms](http://www.futek.com/salesterms) for complete terms and conditions.

10 Thomas, Irvine, CA 92618 USA  
 futek@futek.com

[www.futek.com](http://www.futek.com)



R0HS



U.S. Manufacturer