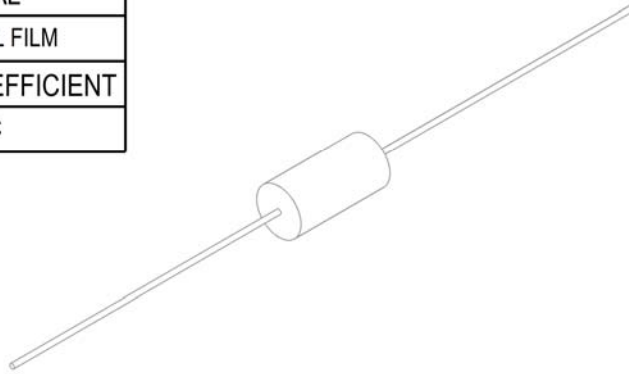


ACCESSORIES

SHUNT CAL / RCAL RESISTORS

Drawing Number: F11208

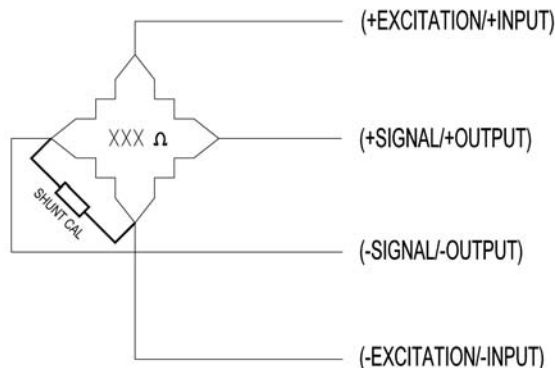
POWER RATING	MATERIAL
1/4 WATT	PRECISION METAL FILM
TOLERANCE	TEMPERATURE COEFFICIENT
0.1 %	25 PPM/°C



STOCK#	OLD DWG#	SHUNT CAL VALUE	BRIDGE RESISTANCE	APPROX. OUTPUT
GOD00611	F1950-11	28 K OHMS	350 OHMS	3.1 mV/V
GOD00610	F1950-12	36.5 K OHMS	350 OHMS	2.4 mV/V
GOD00370	F1950-2	43.575 K OHMS	350 OHMS	2.0 mV/V
GOD00378	F1950-8	60 K OHMS	350 OHMS	1.5 mV/V
GOD00371	F1950-1	87.150 K OHMS	350 OHMS 700 OHMS	1.0 mV/V 2.0 mV/V
GOD00377	F1950-7	100 K OHMS	1000 OHMS	2.5 mV/V
GOD00375	F1950-5	125 K OHMS	1000 OHMS	2.0 mV/V
GOD00376	F1950-6	150 K OHMS	700 OHMS 1000 OHMS	1.2 mV/V 1.7 mV/V
GOD00373	F1950-3	175 K OHMS	700 OHMS	1.0 mV/V
GOD00379	F1950-9	200 K OHMS	1000 OHMS	1.3 mV/V
GOD00374	F1950-4	250 K OHMS	1000 OHMS	1.0 mV/V
GOD00372	F1950-10	301 K OHMS	1000 OHMS	0.8 mV/V
GOD00608	F1950-13	432 K OHMS	1000 OHMS	0.6 mV/V
GOD00607	F1950-14	619 K OHMS	1000 OHMS	0.4 mV/V

SHUNT CALIBRATION:

ELECTRICAL SIMULATION OF TRANSDUCER OUTPUT BY INSERTION OF KNOWN SHUNT RESISTORS BETWEEN APPROPRIATE POINTS WITHIN THE CIRCUITRY



FOR POSITIVE OUTPUT DURING SHUNT CALIBRATION,
RESISTOR MUST BE CONNECTED ACROSS -EXCITATION AND -SIGNAL