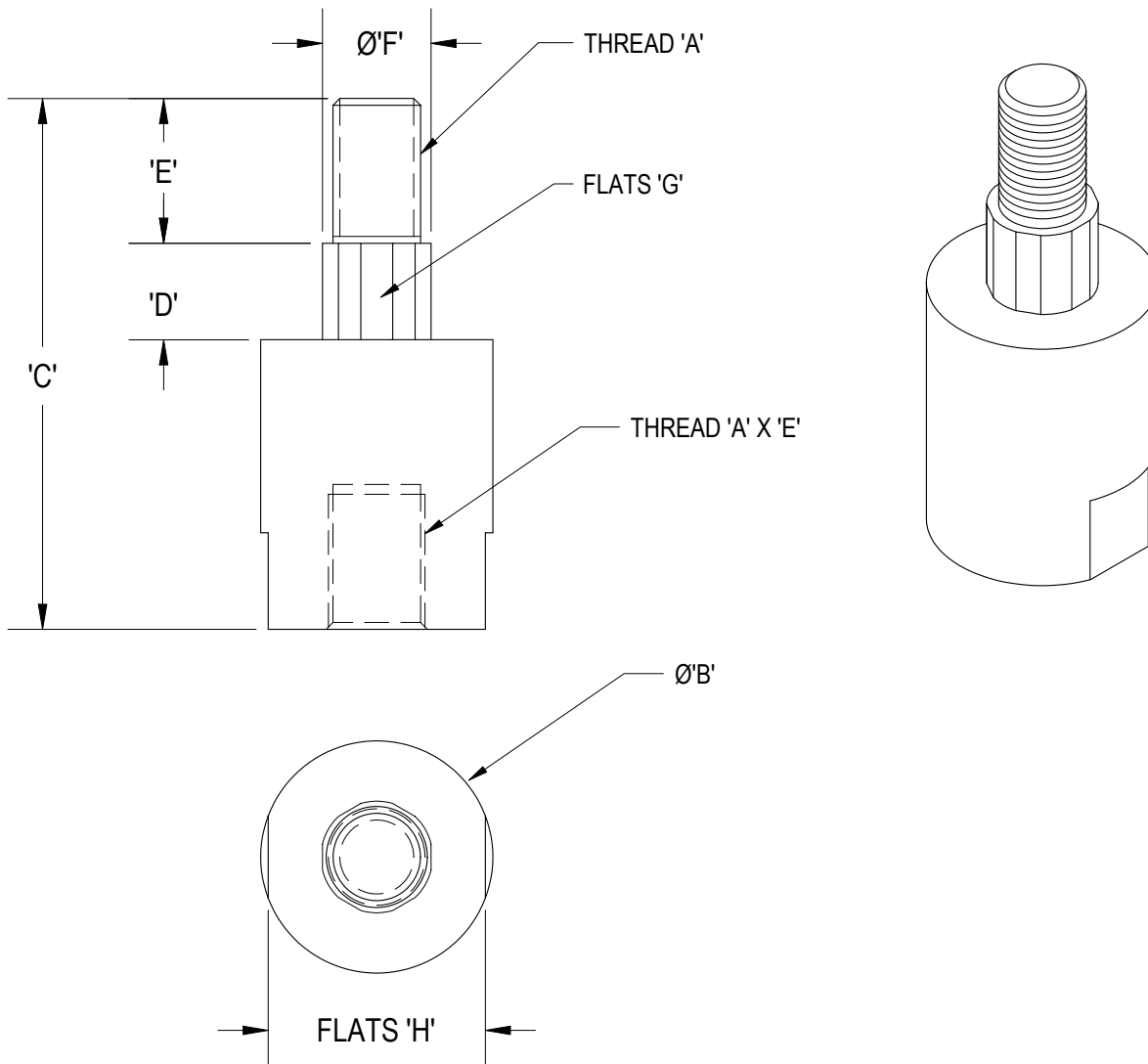


FUTEK MODEL Accessories *CYLINDER ROD ALIGNMENT COUPLER*

Drawing Number: FI1036

INCH [mm] | Material: STEEL



STOCK #	DWG. #	THREAD 'A'	Ø 'B'	'C'	'D'	'E'	SHANK Ø 'F'	FLATS 'G'	FLATS 'H'	PULL FORCE(lb)
GOD00475	F3263-1	1/4-28	0.88 [22.2]	2.00 [50.8]	0.25 [6.4]	0.63 [15.9]	0.31 [7.9]	0.25 [6.4]	0.81 [20.6]	1100
GOD00712	F3263-2	5/16-24	0.88 [22.2]	2.00 [50.8]	0.25 [6.4]	0.63 [15.9]	0.31 [7.9]	0.25 [6.4]	0.81 [20.6]	2800
GOD00476	F3263-3	3/8-24	0.88 [22.2]	2.00 [50.8]	0.25 [6.4]	0.63 [15.9]	0.31 [7.9]	0.31 [7.9]	0.81 [20.6]	8300
GOD00713	F3263-4	7/16-20	1.25 [31.8]	2.75 [69.9]	0.50 [12.7]	0.75 [19.1]	0.63 [15.9]	0.50 [12.7]	1.13 [28.6]	3400
GOD00467	F3263-5	1/2-20	1.25 [31.8]	2.75 [69.9]	0.50 [12.7]	0.75 [19.1]	0.63 [15.9]	0.50 [12.7]	1.13 [28.6]	4700
GOD00714	F3263-6	5/8-18	1.25 [31.8]	2.75 [69.9]	0.50 [12.7]	0.75 [19.1]	0.63 [15.9]	0.50 [12.7]	1.13 [28.6]	19000
GOD00715	F3263-7	3/4-16	1.75 [44.5]	3.50 [88.9]	0.44 [11.2]	1.13 [28.6]	0.97 [24.6]	0.88 [22.2]	1.50 [38.1]	11500
GOD00716	F3263-8	7/8-14	1.75 [44.5]	3.50 [88.9]	0.44 [11.2]	1.13 [28.6]	0.97 [24.6]	0.88 [22.2]	1.50 [38.1]	64000
GOD00581	F3263-9	1-1/4	2.50 [63.5]	4.44 [113]	0.50 [12.7]	1.50 [38.1]	1.38 [34.9]	1.25 [31.8]	2.25 [57.2]	78000
GOD00717	F3263-10	1 1/4-12	2.50 [63.5]	4.44 [113]	0.50 [12.7]	1.50 [38.1]	1.38 [34.9]	1.25 [31.8]	2.25 [57.2]	78000

ROD COUPLERS SIMPLIFY CYLINDER ALIGNMENT PROBLEMS BY COMPENSATING FOR 1-2° ANGULAR ERROR AND 1/16" LATERAL MISALIGNMENT ON BOTH EXTENSION AND RETRACTION (PUSH AND PULL) STROKES. COUPLERS HAVE A UNIQUE BEARING ELEMENT THAT ALLOWS FOR INTERNAL SPHERICAL MOTION TO COMPENSATE FOR EXTERNAL MISALIGNMENT.