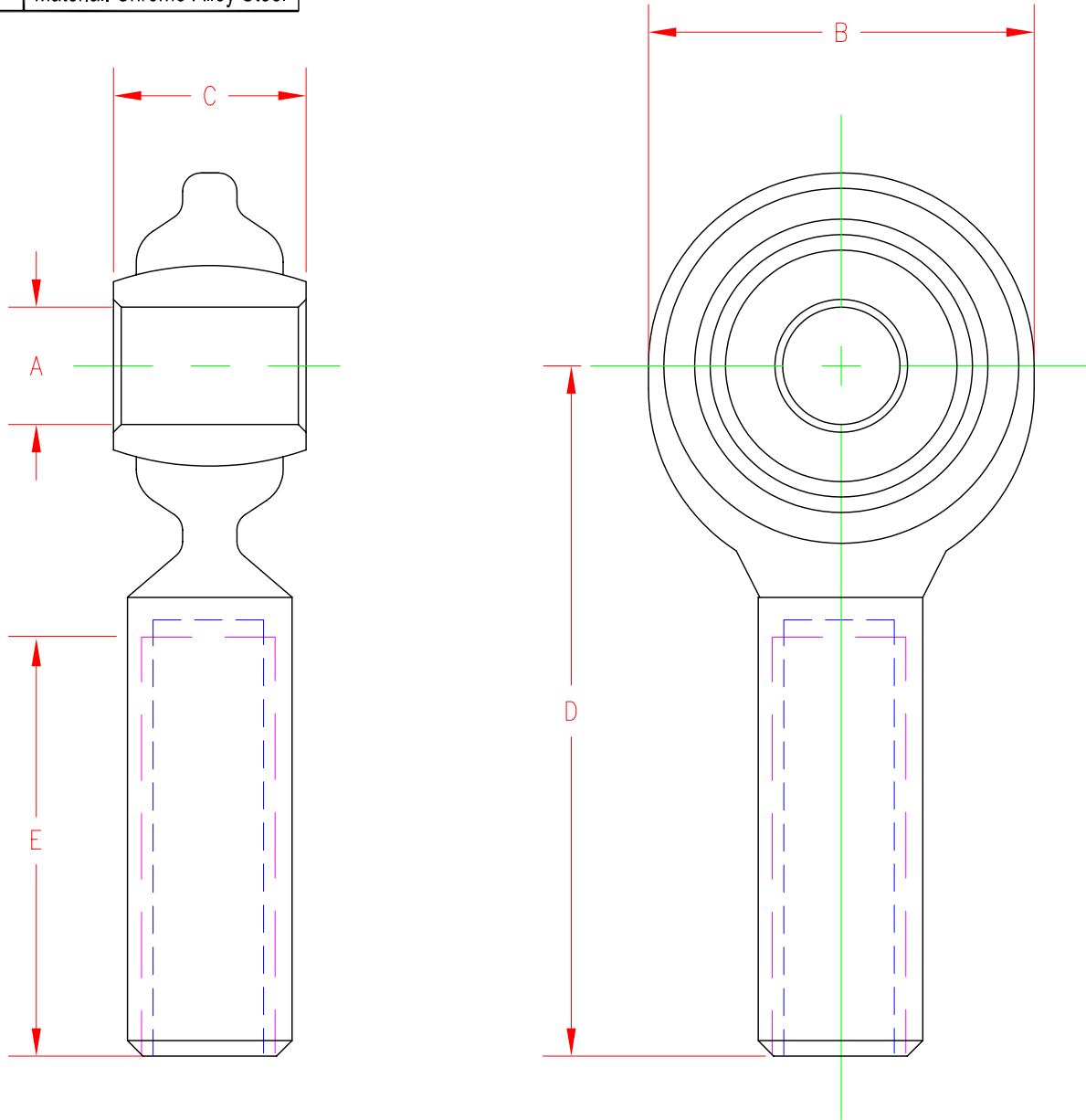


ACCESSORIES

FEMALE ROD END BEARING

Drawing Number: F11200-A

INCH [mm] Material: Chrome-Alloy Steel



ITEM#	THREAD	A	B	C	D	E	LOAD RATING (lb)
GOD00719	10-32	0.19 [4.8]	0.63 [16.0]	0.31 [7.9]	1.06 [26.9]	0.50 [12.7]	3700
GOD00477	1/4-28	0.25 [6.4]	0.75 [19.1]	0.38 [9.7]	1.31 [33.3]	0.69 [17.5]	6100
GOD00720	5/16-24	0.31 [7.9]	0.88 [22.4]	0.44 [11.2]	1.38 [35.1]	0.69 [17.5]	7600
GOD00721	3/8-24	0.38 [9.7]	1.00 [25.4]	0.50 [12.7]	1.63 [41.4]	0.81 [20.6]	9500
GOD00722	7/16-20	0.44 [11.2]	1.13 [28.7]	0.56 [14.2]	1.81 [46.0]	0.94 [24.0]	10200
GOD00723	1/2-20	0.50 [12.7]	1.31 [33.3]	0.63 [16.0]	2.13 [54.1]	1.06 [27.0]	15300
GOD00724	5/8-18	0.63 [16.0]	1.50 [38.1]	0.75 [19.1]	2.50 [63.5]	1.38 [35.1]	17900
GOD00725	3/4-16	0.75 [19.1]	1.75 [44.5]	0.88 [22.4]	2.88 [73.2]	1.56 [39.6]	28000
GOD01327	1-14	1.00 [25.4]	2.95 [74.9]	1.38 [35.1]	4.13 [104.9]	2.13 [54.1]	76200
GOD00726	1 1/4-12	1.00 [25.4]	2.75 [69.9]	1.38 [35.1]	4.13 [104.9]	2.13 [54.1]	76200

BALL JOINT HANDLES UP TO 17° OF MISALIGNMENT