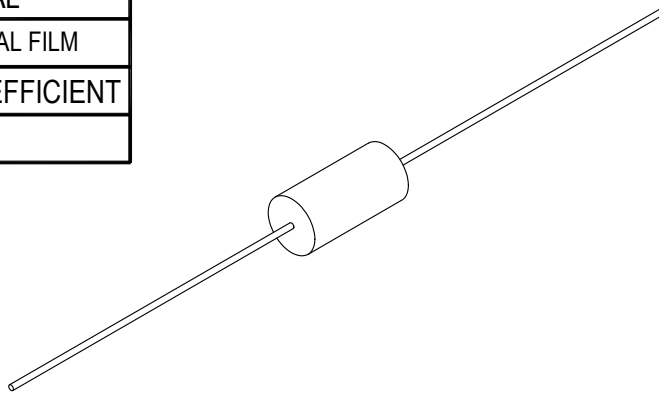


# ACCESSORIES

# SHUNT CAL / RCAL RESISTORS

**Drawing Number: FI1208-A**

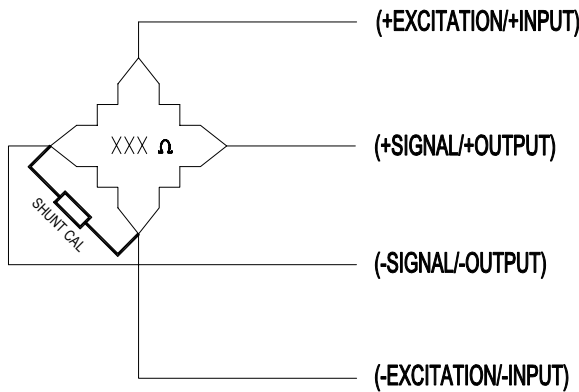
POWER RATING	MATERIAL
1/4 WATT	PRECISION METAL FILM
TOLERANCE	TEMPERATURE COEFFICIENT
0.01 %	10 PPM



STOCK#	SHUNT CAL VALUE	BRIDGE RESISTANCE	SHUNTED OUTPUT
GOD01353	43.575K OHMS	350 OHMS	2.00 mV/V
GOD01354	60.4K OHMS	350 OHMS	1.44 mV/V
GOD01355	87.325K OHMS	700 OHMS	2.00 mV/V
GOD01356	100K OHMS	350 OHMS	0.87 mV/V
		700 OHMS	1.74 mV/V
		1000 OHMS	2.49 mV/V
GOD01357	150K OHMS	700 OHMS	1.16 mV/V
		1000 OHMS	1.66 mV/V
GOD01358	174.825K OHMS	350 OHMS	0.50 mV/V
GOD01359	200K OHMS	700 OHMS	0.87 mV/V
		1000 OHMS	1.25 mV/V
GOD01360	301K OHMS	1000 OHMS	0.83 mV/V

**SHUNT CALIBRATION:**

ELECTRICAL SIMULATION OF TRANSDUCER OUTPUT BY INSERTION OF KNOWN SHUNT RESISTORS BETWEEN APPROPRIATE POINTS WITHIN THE CIRCUITRY



FOR POSITIVE OUTPUT DURING SHUNT CALIBRATION, RESISTOR MUST BE CONNECTED ACROSS -EXCITATION AND -SIGNAL