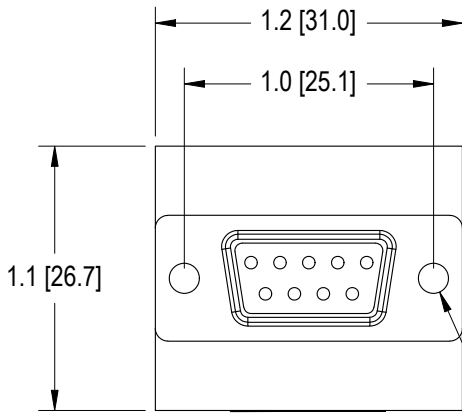


# FUTEK MODEL IAC150

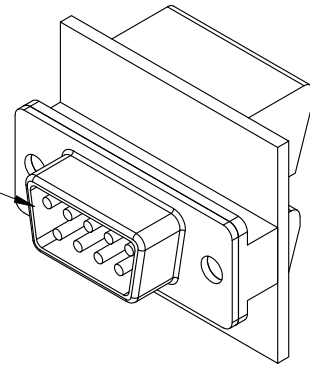
# DB9 Connector w/ Terminal Block

Drawing Number: FI1175-A

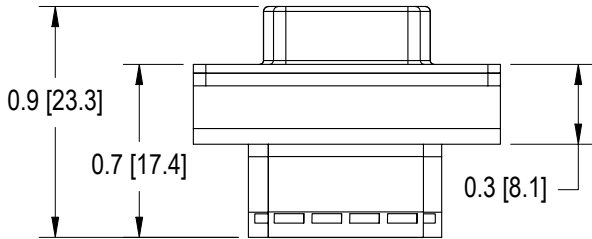
INCH [mm] R.O.= Rated Output



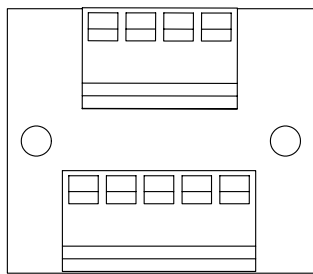
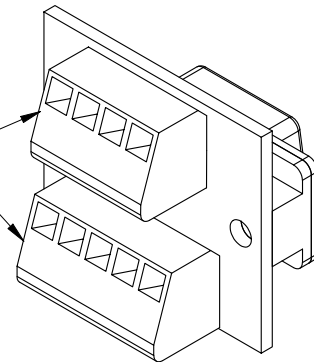
DB9 MALE OR FEMALE CONNECTOR  
(MALE CONNECTOR SHOWN)



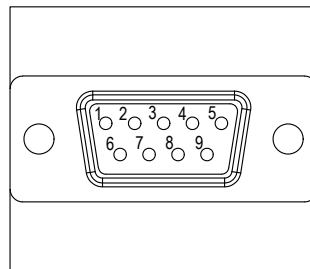
2X Ø0.1 [Ø3.0] THRU



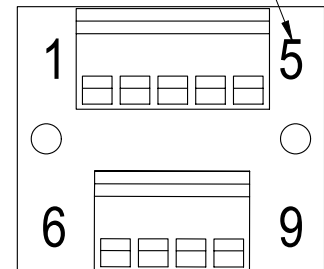
SCREW TERMINAL BLOCKS



DB9 MALE PIN OUTS  
STK# FSH02236



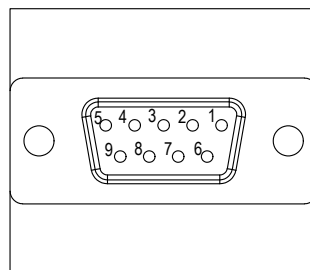
DB9 PIN  
CALLOUTS



## SPECIFICATIONS

- Max Current: 1 Amp
- Operating & Storage Temperature:  
-40°F to 185°F [-40°C to 85°C]
- 95% Relative Humidity Non-Condensing

DB9 FEMALE PIN OUTS  
STK# FSH02237



DB9 PIN  
CALLOUTS

