

FUTEK MODEL IPM600

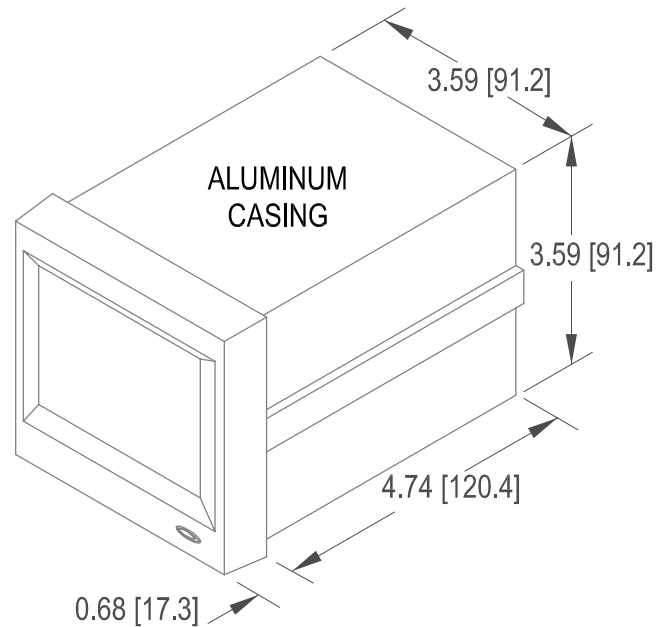
COLOR LCD TOUCH PANEL DIGITAL DISPLAY FOR USE W/ANY STRAIN GAGED SENSOR (PREVIOUSLY D610 SERIES)

Drawing Number: FI1017-A

INCH [mm]

FEATURES:

- 3.5 " Color Touch Panel LCD with 320 X 120 resolution
- Scaleable to 5 digits. $\pm 99,999$
- 2000 Conversions per second
- Graphing Function
- Required Power Source:
DC Version, 12 to 24 VDC w/ 3 A
AC Version, 110-240 VAC 50/60Hz
- Signal Input Range: ± 3.0 mV/V
- Sensor excitation
2.5 V, 5 V, 10 V DC @ 120 mA
- 4 Programmable Limits/Setpoints: HI-HI, HI, LO, LO-LO
- 5 Relays: 30 mA and 30 V MAX.
- Hold Functions: Sample, Peak, Valley,
Peak-to-peak, Relative max and min, and Inflection hold
- Plug-in screw terminal
- Weight: 2.1 lb [0.95 Kg]
- RS232C



ENVIRONMENT:

- Operating Temperature: 14 °F to 104 °F
[-10 °C to 40 °C]
- Relative Humidity: 80% RH or below

OPTIONS:

- Analog Output 0-10 VDC & 4-20 mA

STOCK#	ANALOG OUTPUT	POWER SOURCE	
		VDC	VAC
FSH01685		X	
FSH01726	X	X	
FSH02491			X
FSH02490	X		X

