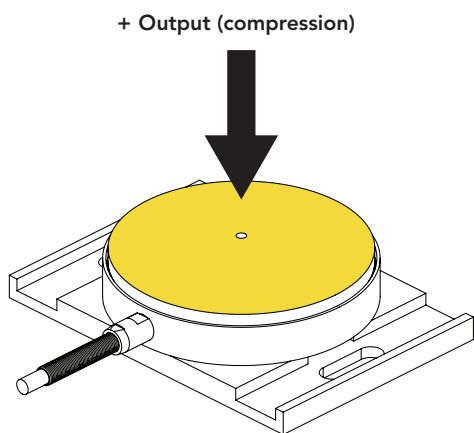




FEATURES

- Ideal for Automotive Applications involving brake testing
- Ideal for Aerospace Applications involving pedal force testing
- Spike resistant and highly resistant to off-axis loading
- Low Profile Height
- Removable Mounting Plate
- Light weight

Active end



SPECIFICATIONS

PERFORMANCE

Nonlinearity	±0.25% of RO
Hysteresis	±0.25% of RO
Nonrepeatability	±0.1% of RO
Off Center Loading	±1% or better @ 0.625 in [15.9 mm] from center

ELECTRICAL

Rated Output (RO)	2 mV/V nom
Excitation (VDC or VAC)	20 max
Bridge Resistance	700 Ohm nom
Insulation Resistance	≥500 MOhm @ 50 VDC
Connection	#24 AWG, 4 conductor, braided shielded PVC cable 15 ft [4.5 m] long
Wiring Code	WC1

MECHANICAL

Weight	16 oz (454 g)
Safe Overload	150% of RO
Material	17-4 PH stainless-steel
IP Rating	IP64

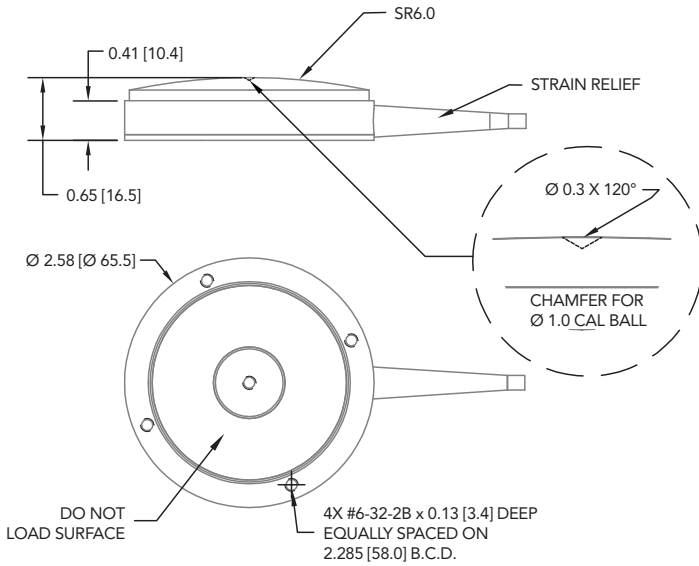
TEMPERATURE

Operating Temperature	-60 to 200°F [-50 to 93°C]
Compensated Temperature	60 to 160°F [15 to 72°C]
Temperature Shift Zero	±0.003% of RO/°F [0.018% of RO/°C]
Temperature Shift Span	±0.01% of Load/°F [0.018% of Load/°C]

CALIBRATION

Calibration Test Excitation	10 VDC
Calibration (standard)	5-pt compression
Shunt Calibration Value	100 kOhm

DIMENSIONS inches [mm]

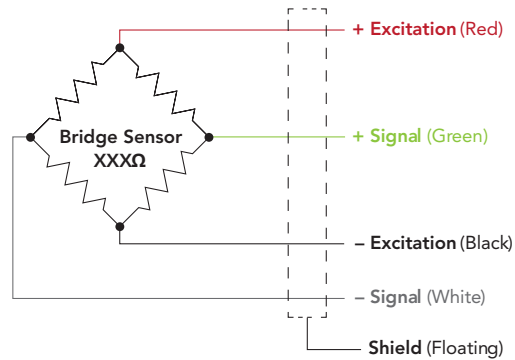


CAPACITIES

ITEM #	lb	N	Deflection (in)	Natural Frequency (Hz)
FSH04395	300	1334	0.003	1500
FSH04396	500	2224	0.003	2000

WIRING CODE (WC1 WITH SHIELD)

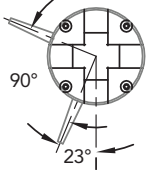
RED	+ EXCITATION
BLACK	- EXCITATION
GREEN	+ SIGNAL
WHITE	- SIGNAL
SHIELD	FLOATING



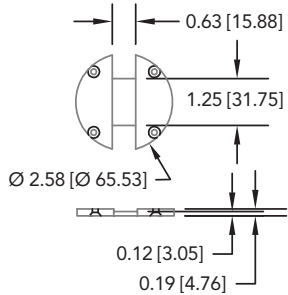
MOUNTING PLATES (ALUMINUM, RED ANODIZED)

ROUND PLATE

ITEM# MCP01098

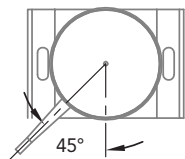


SENSOR CAN BE ROTATED AT 90° INCREMENTS

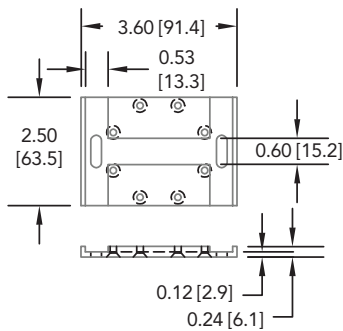


RECTANGULAR PLATE

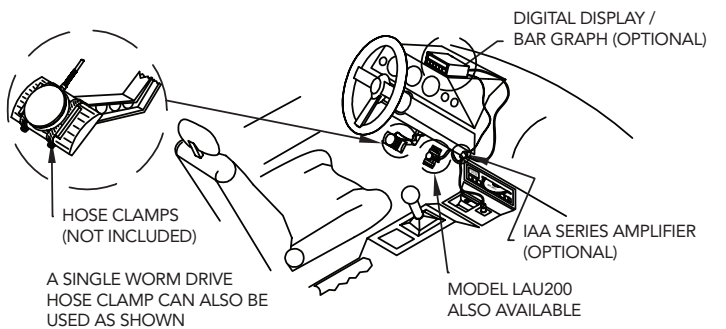
ITEM# MCP00218



SENSOR CAN BE ROTATED AT 45° INCREMENTS



TYPICAL APPLICATION



Model LAU220 includes (one of each)
Total Weight 2 lb [0.9 kg]

Mounting Plate
Item# MCP00218
Item# MCP01098
100 kohm shunt cal.
Carrying case

Drawing Number: FI1483

FUTEK reserves the right to modify its design and specifications without notice. Please visit www.futek.com/salesterms for complete terms and conditions.

10 Thomas, Irvine, CA 92618 USA

Tel: (949) 465-0900

Fax: (949) 465-0905

www.futek.com

ROHS



U.S. Manufacturer