



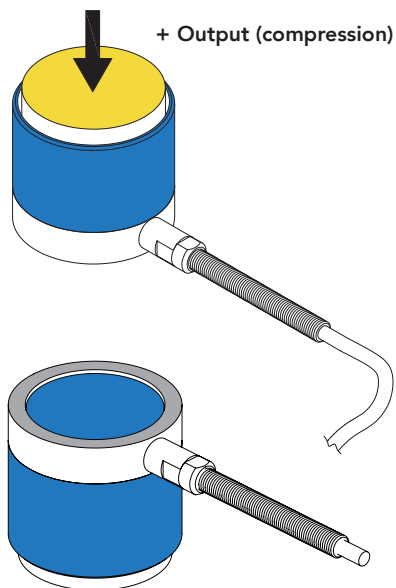
FEATURES

- Fast response time
- Superior natural frequency
- Low deflection
- Small profile for tight spaces
- Fully welded construction

 Active end

 Fixed end

 Non-loading surface, do not contact



SPECIFICATIONS

PERFORMANCE

Nonlinearity	±0.5% of RO
Hysteresis	±0.5% of RO
Nonrepeatability	±0.25% of RO

ELECTRICAL

Rated Output (RO)	2 mV/V nom
Excitation (VDC or VAC)	18 max
Bridge Resistance	350 Ohm nom
Insulation Resistance	≥500 MOhm @ 50 VDC
Connection	#29 AWG, 4 conductor, spiral shielded Teflon cable 10 ft [3 m] long

Wiring Code WC1

MECHANICAL

Weight	0.16 lb [73 g]
Safe Overload	150% of RO
Material	17-4 PH stainless-steel
IP Rating	IP64

TEMPERATURE

Operating Temperature	-60 to 200°F [-50 to 93°C]
Compensated Temperature	60 to 160°F [15 to 72°C]
Temperature Shift Zero	±0.01% of RO/°F [0.018% of RO/°C]
Temperature Shift Span	±0.02% of Load/°F [0.036% of Load/°C]

CALIBRATION

Calibration Test Excitation	10 VDC
Calibration (standard)	5-pt compression
Shunt Calibration Value	60.4 kOhm

CONFORMITY

RoHS	EU 2015/863
CE	EN55011; EN61326-1

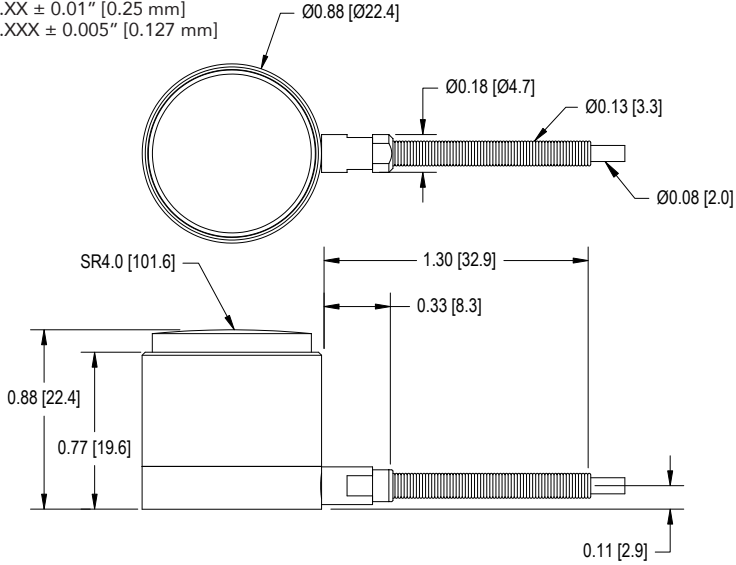
DIMENSIONS inches [mm]

TOLERANCE:

.X ± 0.1" [2.5 mm]

.XX ± 0.01" [0.25 mm]

.XXX ± 0.005" [0.127 mm]



WIRING CODE (WC1 WITH SHIELD)

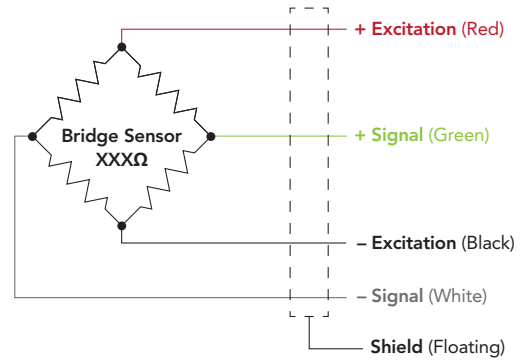
RED + EXCITATION

BLACK - EXCITATION

GREEN + SIGNAL

WHITE - SIGNAL

SHIELD FLOATING



CAPACITIES

ITEM #	lb	N	Deflection (in)	Natural Frequency (Hz)
FSH04625	10000	44480	0.001	50000

Drawing Number: F11529-A

FUTEK reserves the right to modify its design and specifications without notice.

Please visit www.futek.com/salesterms for complete terms and conditions.

10 Thomas, Irvine, CA 92618 USA

Tel: (949) 465-0900

www.futek.com



R0HS



U.S. Manufacturer