

Terms and Conditions of Use

This drawing, including all information depicted herein (collectively, "Drawing"), is FUTEK's property and protected under applicable law, including copyright. FUTEK reserves all rights. The Drawing is provided solely for your information and exclusive use. **Except as expressly approved by FUTEK in writing, you may not reproduce or share this Drawing**, in whole or part, with any other firm or individual, or attempt to reverse engineer the Drawing or data contained therein. Any reproduction of this Drawing in whole or part must include this legend.

By accessing the Drawing, you agree that you have read, understand, and agree to abide by the stated Terms and Conditions of Use.

© 2023 FUTEK Advanced Sensor Technology, Inc.



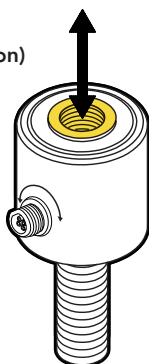
FEATURES

- Fast Response Rate (μ s)
- Low deflection, light weight
- For use in both tension and compression
- Can easily thread in line into a threaded rod or actuator
- Quick Disconnect
- Water Resistant and Outdoor Rated
- Environmental Protection

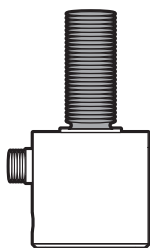
Active end

+ Output (tension)

- Output (compression)



Fixed end



SPECIFICATIONS

PERFORMANCE

Nonlinearity	$\pm 0.5\%$ of RO
Hysteresis	$\pm 0.5\%$ of RO
Nonrepeatability	$\pm 0.1\%$ of RO

ELECTRICAL

Rated Output (RO)	1 mV/V (1000 lb) 2 mV/V (2000 lb) 3 mV/V (3000 lb)
Excitation (VDC or VAC)	18 max
Bridge Resistance	1000 Ohm nom
Insulation Resistance	≥ 500 MOhm @ 50 VDC
Connection	4 Position Micro Receptacle
Wiring Code	CC19

MECHANICAL

Weight	3.5 oz [99 g]
Safe Overload	150% of RO
Material	17-4 PH stainless-steel
IP Rating	IP64

TEMPERATURE

Operating Temperature	-45 to 200°F [-42 to 93°C]
Compensated Temperature	60 to 160°F [15 to 72°C]
Temperature Shift Zero	$\pm 0.005\%$ of RO/°F [0.01% of RO/°C]
Temperature Shift Span	$\pm 0.01\%$ of Load/°F [0.018% of Load/°C]

CALIBRATION

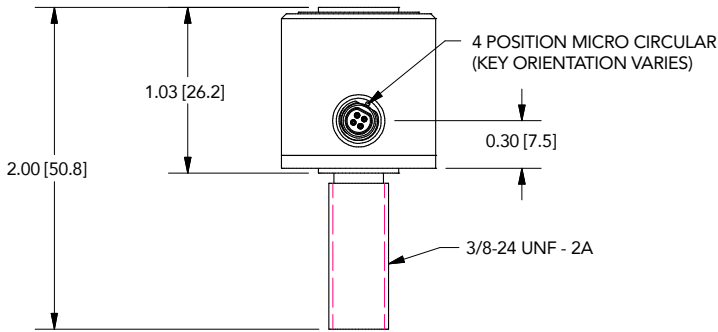
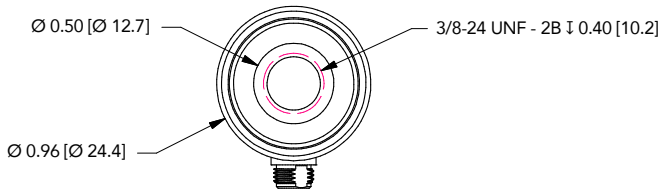
Calibration Test Excitation	10 VDC
Calibration (standard)	5-pt tension
Calibration (available)	Compression
Shunt Calibration Value	301 kOhm (1000 lb) 150 kOhm (2000 lb) 100 kOhm (3000 lb)

CONFORMITY

RoHS	EU 2015/863
CE	EN55011; EN61326-1

DIMENSIONS inches [mm]

TOLERANCE:
 .X ± 0.1" [2.5]
 .XX ± 0.01" [0.25]
 .XXX ± 0.005" [0.127]



FUTEK 4 PIN MICRO CIRCULAR (CC19)

1	+ EXCITATION	Red
2	- EXCITATION	Black
3	- SIGNAL	White
4	+ SIGNAL	Green



CAPACITIES

ITEM #	lb	N	Deflection (in)	Natural Frequency (Hz)
FSH04646	1000	4448	0.0005	21100
FSH04647	2000	8896	0.0010	21100
FSH04648	3000	13344	0.0015	21100

Drawing Number: F11546

FUTEK reserves the right to modify its design and specifications without notice.
 Please visit www.futek.com/salesterms for complete terms and conditions.

10 Thomas, Irvine, CA 92618 USA
 Tel: (949) 465-0900

www.futek.com



R0HS



U.S. Manufacturer