

FUTEK MODEL L1660

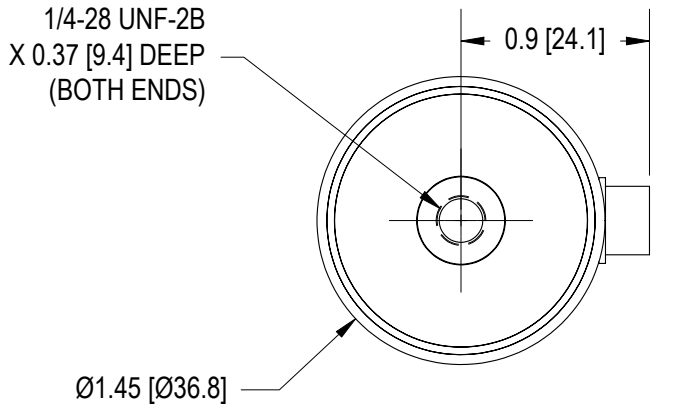
COMPACT UNIVERSAL LOAD CELL

Drawing Number: F2736-02

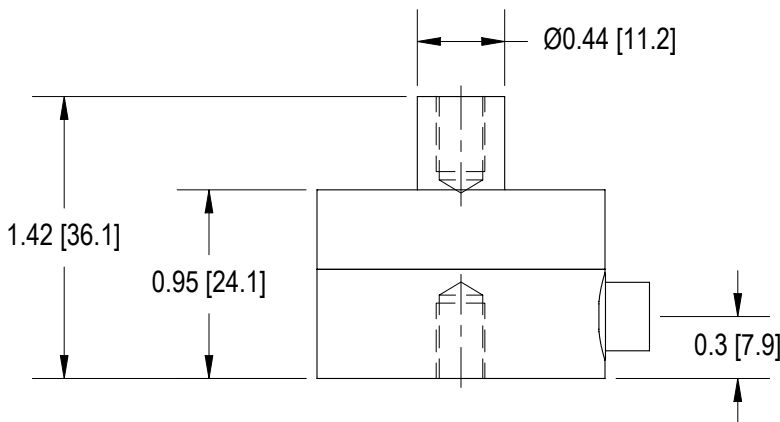
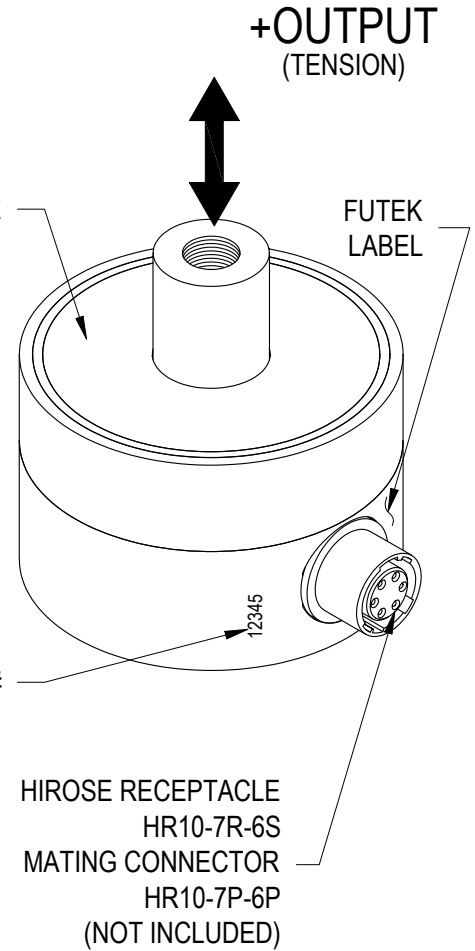
INCH [mm] | R.O.= Rated Output

WIRING CODE (CC5)

+Excitation	-Excitation	+Signal	-Signal
RED PIN '1'	BLACK PIN '2'	GREEN PIN '3'	WHITE PIN '4'



NON LOADING SURFACE
DO NOT CONTACT



SPECIFICATIONS:

RATED OUTPUT	2 mV/V nom.
CAPACITY lb	25 , 50 , 100 , 250 , 500
N	111 , 222 , 445 , 1112 , 2224
SAFE OVERLOAD	150% of R.O.
ZERO BALANCE	±1% of R.O.
EXCITATION (VDC OR VAC)	20 MAX
BRIDGE RESISTANCE	700 Ω nom.
NONLINEARITY	±0.15% of R.O.
HYSTERESIS	±0.15% of R.O.
NONREPEATABILITY	±0.05% of R.O.
TEMP. SHIFT ZERO	±0.01% of R.O./°F [0.018% of R.O./°C]
TEMP. SHIFT SPAN	±0.01% of LOAD/°F [0.018% of LOAD/°C]
COMPENSATED TEMP.	60 to 160°F [15 to 72°C]
OPERATING TEMP.	-40 to 185°F [-40 to 85°C]
WEIGHT	6 oz [168 g]
MATERIAL	17-4PH S.S.
DEFLECTION	0.005 [0.13] nom.
CONNECTOR: HIROSE Receptacle (HR10-7R-6S)	
ACCESSORIES AND RELATED INSTRUMENTS AVAILABLE	
CALIBRATION (STD)	5 pt TENSION; 100K Ω SHUNT CAL. VALUE
CALIBRATION (AVAILABLE)	COMPRESSION
CALIBRATION TEST EXCITATION	10 VDC