

FUTEK MODEL LCF705

LOW PROFILE UNIVERSAL PANCAKE LOAD CELL w/ TENSION BASE



Drawing Number: FI1239-A

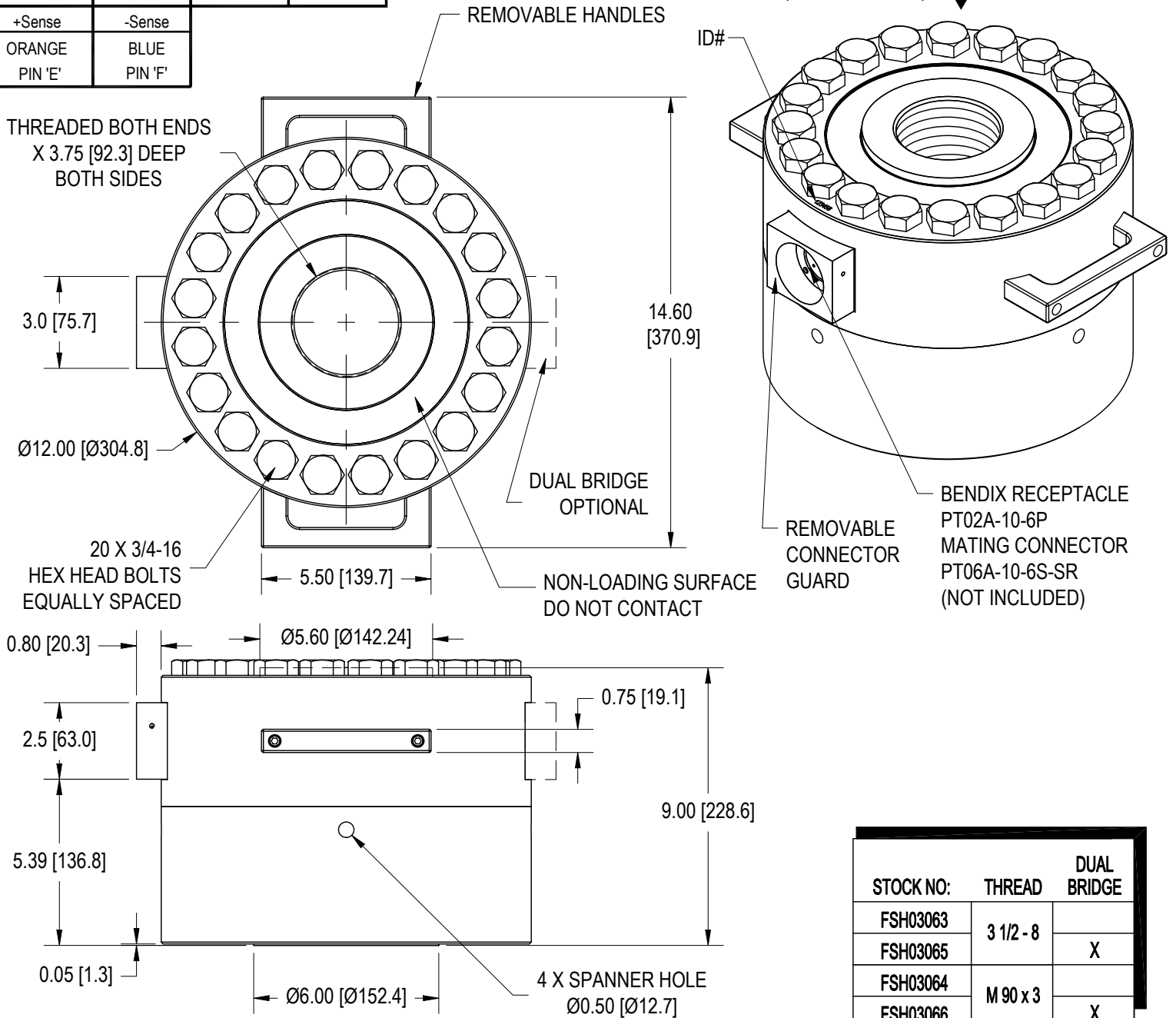
INCH [mm] | R.O.= Rated Output

WIRING CODE (CC1)

+Excitation	-Excitation	+Signal	-Signal
RED PIN 'A'	BLACK PIN 'B'	GREEN PIN 'C'	WHITE PIN 'D'

+Sense	-Sense
ORANGE PIN 'E'	BLUE PIN 'F'

+OUTPUT
(TENSION) 
-OUTPUT
(COMPRESSION) 



STOCK NO:	THREAD	DUAL BRIDGE
FSH03063	3 1/2 - 8	
FSH03065		X
FSH03064	M 90 x 3	
FSH03066		X

SPECIFICATIONS:

RATED OUTPUT
CAPACITY
SAFE OVERLOAD
ZERO BALANCE
EXCITATION (VDC OR VAC)
BRIDGE RESISTANCE
NONLINEARITY
HYSTERESIS
NONREPEATABILITY

4 mV/V nom.
400 Klb [1800 kN]
150% of R.O.
±1% of R.O.
20 VDC MAX
350 Ω nom.
±0.2% of R.O.
±0.2% of R.O.
±0.02% of R.O.

TEMP. SHIFT ZERO
TEMP. SHIFT SPAN
COMPENSATED TEMP.
OPERATING TEMP.
WEIGHT
MATERIAL
CONNECTOR: 6 Pin BENDIX Receptacle (PT02A-10-6P)
CALIBRATION (STD)
CALIBRATION TEST EXCITATION

±0.005% of R.O./°F (0.009% of R.O./°C)
±0.005% of LOAD/°F (0.009% of LOAD/°C)
60 to 160°F (15 to 72°C)
-60 to 200°F (-50 to 93°C)
230 lb
17-4PH S.S.
5 pt. COMPRESSION; 30 KΩ SHUNT CAL VALUE
10 VDC